

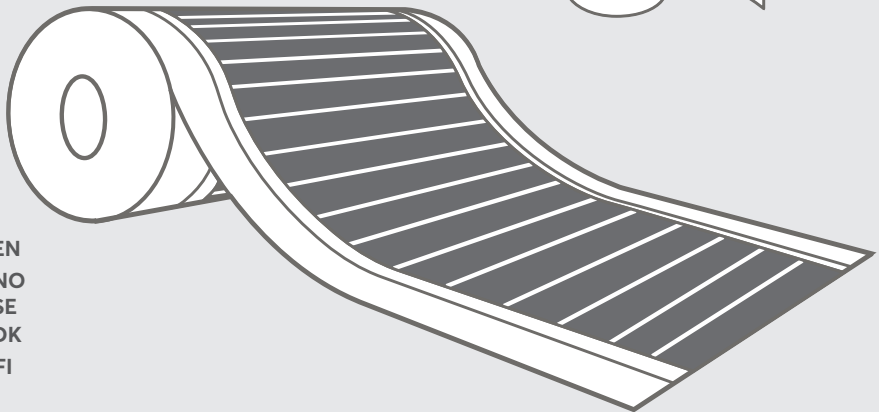
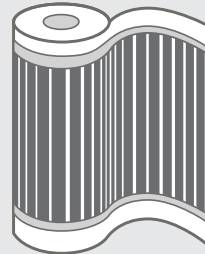


Nordic World Class Heating Solutions

INSTALLATION GUIDE

HEATING FOIL NUF60W/m² NUF80W/m² 40cm 60cm 100cm

GENERAL CONDITIONS
INSTALLATION CONDITIONS
HEATINGFOIL NUF60W/m ² NUF80W/m ²



EN
NO
SE
DK
FI

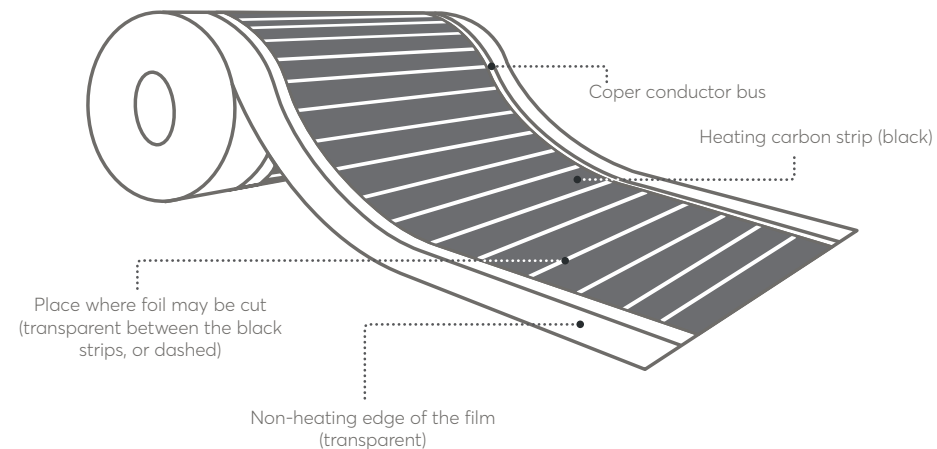
NAME	MAXIMUM LENGTH [m]	TOTAL WIDTH [mm]	ACTIVE WIDTH [mm]	OUTPUT [W/m ²]	OUTPUT [W/m]	RESISTANCE 1m [Ω]
NUF60 40cm	52,3	400	300	60	21	2589
NUF80 40cm	36,6	400	300	80	28	1889
NUF60 60cm	55	600	570	60	33	1603
NUF80 60cm	39,2	600	570	80	44	1202
NUF60 100cm	27,5	1000	970	60	58	909
NUF80 100cm	28,5	1000	970	80	77,6	682

Example of comparison of the measured value with the nominal value from the chart on the title page (two five-metre and two four-metre strips of C520 foil were installed, i.e. a total of 18m):

- Measure the installed length of the heating foil (m) and multiply it by the length output shown in the table (W/m): $P = 18 \text{ m} \times 80 \text{ W/m} = 1440 \text{ W}$;
 - Calculate tolerance: the lower is $-10\% = 1296 \text{ W}$ and the upper is $+5\% = 1512 \text{ W}$;
 - Measure the resistance of the heating foil (for example 37Ω for 18m of NUF80 60cm Foil);
 - The mains voltage is 230 V;
 - Enter the values into the formula $P = U^2/R$ where $P = \text{output (W)}$, $U = \text{voltage (V)}$ and R is resistance (Ω).
 - So for example $P = 230^2 / 37 = 1430 \text{ W}$;
 - The measured values of el. resistance are within the tolerance given in the table values for the foil - IT MEETS THE REQUIREMENTS
- Inspection according to resistance:
- Measure the installed length of the heating foil (m). Divide* the resistance stated in the table (Ω) by the measured length:
 - $R = 661 / 18 \text{ m} = 36.7\Omega$;
 - Calculate the tolerance: the lower one is $-5\% = 34.9 \Omega$ and the upper one is $+10\% = 40.4 \Omega$;
 - Measure the resistance of the heating foil - e.g. 37Ω for 18m NUF80 60cm Foil;
 - The measured value of electric resistance is within tolerance - SATISFACTORY.

*Total resistance decreases with increasing length/ FLOOR
HEATING FOIL - NUF FOIL

HEATING FOIL - NUF60W NUF80W



GENERAL CONDITIONS

- Before unpacking and starting work, check whether the purchased parts are correct according to the labels and the print on the foil, and read these instructions carefully.
- The heating foil is designed for dry-process laying; it isn't glued but it must be fixed to prevent moving/slipping beyond the non-heating edges.
- There are no defined upper and lower surfaces on the heating foil.
- The supply circuits must always be equipped with a $\leq 30\text{mA}$ fuse for nominal actuating current. The carrying out of installation (disconnection, protection or regulation) must enable electrical disconnection of the foil in all poles.
- The heating foil mustn't be installed on irregular surfaces.
- The non-heating edge of the film is the longitudinal transparent part, usually with print and information about the product. It is parallel to the copper conductor bus. This edge can be made narrower by cutting it to a minimum of 11 mm in thickness or may be perforated / pierced though by a nail at a distance of 11 mm from the copper conductor bus.
- The heating foil must be in close contact with the other parts of the building structure (except for in the case of those foils with a surface output of 80 W/m^2 and lower), and it must be covered completely by a ceiling or floor.
- The heating foil, including connections and supply conductors, must be protected against damage during the installation (e.g. against falling objects or damage to the insulation by the sharp edges of objects – walking etc.) You may walk on the heating foil providing your shoes have soft soles and the foil is placed on a flat and smooth surface.
- Heating foils mustn't be installed at a height of lower than 2.3m into walls and ceilings with an incline of less than 45° from the vertical.
- Heating foils mustn't be laid in layers, overlap each other or touch other parts at any other location than at the non-heating edges. The non-heating edges may overlap. Heating films must always be secured against shifting.
- Heating films mustn't be installed at a temperature of lower than $3\text{ }^\circ\text{C}$ and they mustn't be exposed to temperatures of higher than $80\text{ }^\circ\text{C}$ on a long-term basis.
- The minimum bend radius of the heating foil is 35mm and creasing must be prevented.
- Heated surfaces must be separated from the walls and other dilatation units by a dilatation joint. The heating foil mustn't pass through the dilatation joints; the supply lead which passes over these joints must be placed in such a way that free movement of the separated units is enabled without causing damage to the cable.
- The heating films are intended for a voltage of 230 V~.
- For series connection, the value of the current which is passing through the copper conductor bus mustn't exceed 10 A. The max. lengths of heating foil which are derived from this can be found in the table on the title page.
- The heating foil can be divided only by cutting it perpendicularly to the longitudinal axis in such a way that the cut doesn't extend into the black heating carbon strip which connects the copper conductor bus.
- Open cuttable edges always need to be insulated along the whole length of the cut, except for in the case of foils which are cut along the cuttable edge, when it is enough to insulate only the copper conductor bus.
- Heating films mustn't be covered on a long-term basis by a floor covering or other objects of which the thermal resistance (R) is higher than $0.15\text{ m}^2\text{K/W}$.

- If a cut/piercing occurs in the middle of the foil, break up the broken carbon strips by a cut which is approx. 11 mm wide and insulate all edges of the cut. If the copper conductor bus is broken, it is necessary to divide the foil into two separate heating strips, cut out the damaged spot, cut the newly created edges straight and insulate them. The heating film will be connected subsequently using the standard procedure.
- The heating foil is manufactured according to the requirements of the National Standard EN 60335-2-96 and it must be installed according to the valid Standards (the laying of the heating foil is included in the 33 2000-7-753 norm).
- When installing the heating foils, the EN 50559 standard requirements must be met and must be installed in accordance with the national regulations for electrical installation.
- The covering of NUF heating foil with 0.1 mm-thick polyester foil or 0.2 mm polyethylene foil fulfils the requirements of the EN 60335-1 standard for class II structures, and the EN 60335-2-96 standard for the installation of heating units in the floor or ceiling.
- Other use of the heating foil or other placement of the heating foil than is mentioned in these instructions can be hazardous to health and life or can cause material damage. Warranty conditions do not apply to such use.
- For the crimping of connectors and pliers offered by Nobø must be used exclusively. Only insulation materials offered by Nobø must be used for the insulation of connectors and cut edges of the foil.
- The supplier must inform other suppliers, owners and if possible, also the user that no penetrating objects, such as e.g. nails, screws or drills must be used in the area where heating foils are installed.
- Heating foils must not be installed in close proximity to aluminium foils containing metals or on constructions with high humidity.
- A sheet of paper with information about the heating system must be permanently kept in the switch box of the heating system and passed on to any new owner or tenant.
- The user must be instructed by the supplier regarding the installation of floor or ceiling heating. This fact is stated on a label which comes with the product and must be glued into the switch-board: this label also informs readers that the making of openings is prohibited, as is covering the floor with furnishings or fittings without leaving at least a 4 cm gap between the floor and the bottom surface.
- There must be a gap of at least 10 cm between the heated ceiling and the top surface of furnishings or fittings.

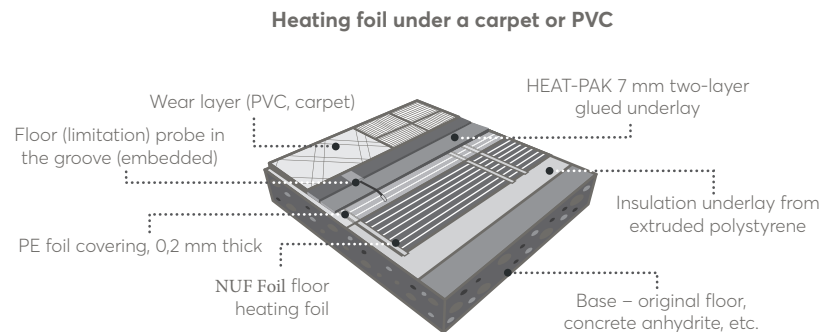
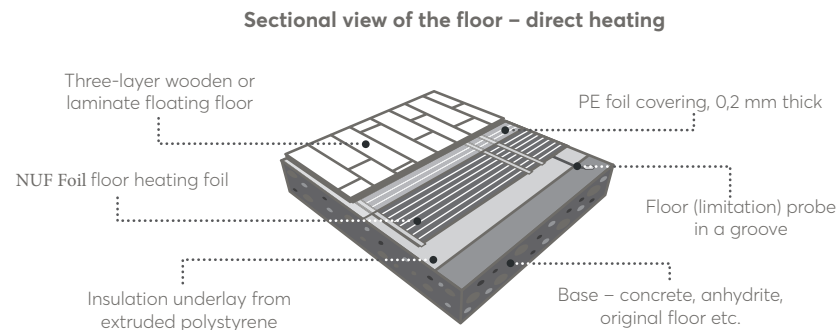


NUF HEATING FOIL

1. Installation conditions

- Hydro-insulation must be carried out under the construction of the floor which will prevent water seeping through the thermal insulation under the heating foil – we recommend that it is laid in two layers which are perpendicular to each other, with overlaps of joints.
- The heating foil is not to be laid under permanently placed room equipment and objects which prevent heat dissipation (e.g. furniture with a plinth etc.)
- As protection against dampness a vapour barrier of PE foil with a thickness of 0.2 mm must be laid on the heating foil with overlaps at least 5 cm.
- NUF FOIL is not to be installed in rooms with higher humidity (bathrooms, laundry rooms etc.)
- The maximum dilatation unit is 25 m² or with a maximum diagonal of 7m.
- Heating foils are intended for glued laminate and wooden floors that are fitted with lining strips around their perimeter to prevent unqualified disassembly of the floor covering.

2. Selection of a base for the installation of NUF heating foil directly under a floating floor



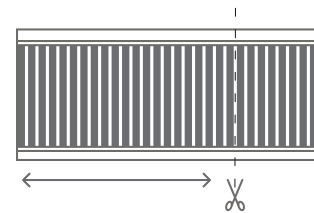
3. Quality of the base surface

- The base surface must be adequately flat, without any projections, bumps or depressions. It can be made of concrete but also other construction materials of sufficient bearing capacity.
- The base surface humidity must not exceed 2 % (approx. 60 % of relative humidity).

2. Preparation of the heating foil, conductors, connectors

4a). Cutting the foil

- Check the label data on the edge of the belt. Use scissors to cut the length which is required for the project in the marked cuttable place. Cut along the middle of the cutting strip.

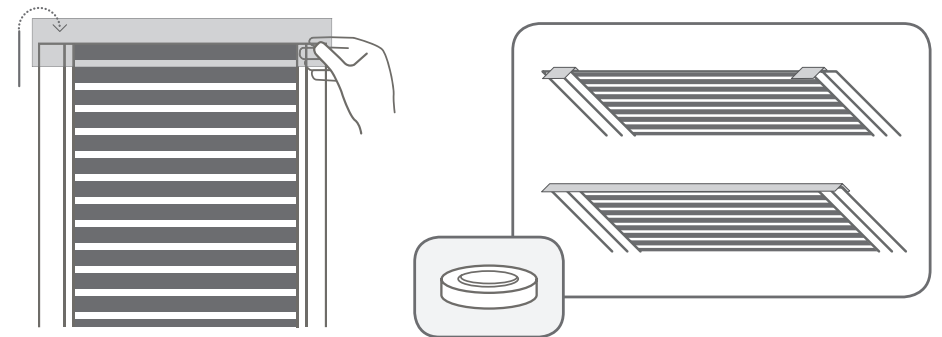


There are two variants of cutting lengths:

- a) variant 1 of cutting length 320 mm or 22 mm
- b) variant 2: cut length 10 mm.

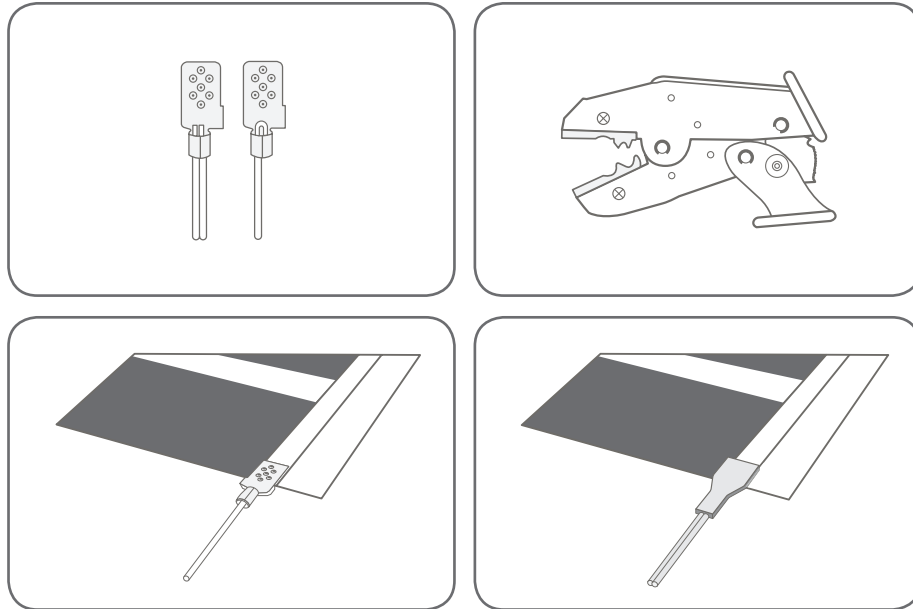
4b). Insulation of the cut edge

- In the case of cut length variant 1, it is enough to insulate both open edges of the copper tape using 28 mm wide tape.
- In the case of cut length variant 2, it is necessary to insulate the whole cutting edge with 28 mm tape and over that, with 38 mm tape.



4c). Fixing connector fasteners to the heating foil

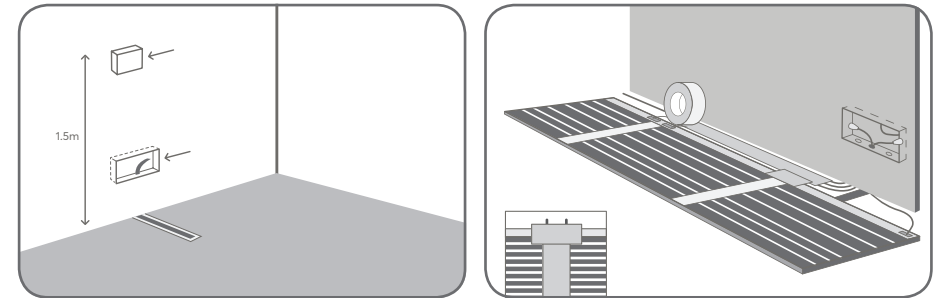
- First, the supply cables are pressed to the connector and subsequently, the connector is pressed to the heating foil. The cross section of the connecting conductor must be at least 3 mm², as the connectors are dimensioned in such a way because of the need to connect two conductors. If only one conductor is connected, it is necessary to bend the conductor into the connector in such a way that the required cross section is achieved.
- The connector fastener should be placed in the middle of the conductor bus and subsequently, the slanting part of the fastener is closed using pressure applied by one's fingers. Use crimping pliers to set the definitive position of the slanting part of the fastener. Crimp the connector first from the side of the fastener suspender and then from the open side to ensure that the fastener is compressed sufficiently. The crimping pliers' ratchet prevents the opening of its jaws before the desired pressure is achieved.
- Subsequently, carry out insulation using MASTIC tape, with a minimum overlap of 11 mm from the live parts.



5. Laying and connecting the heating foil

- Clean out the room in which laying will take place and sweep up any mechanical dirt or mess.
- Measure the floor surface and based on the measurements, draw the layout of the heating foils directly on the floor, or on paper.
- Measure the heating foil according to the drawing and cut it into individual strips.
- By unwinding the foils on the floor, check that their dimensions can be laid according to the conditions of these instructions and the dimensions of the rooms.

- Roll up the heating films partially and selotape them to prevent unwinding in order to avoid stepping on them, and draw places on the floor for cutting out the grooves for supply cables and connector covers.
- It is not necessary to cut the grooves for AV 1.5 heating cables if they are flush in the levelling base board with a thickness of 3 mm and more. The groove should be cut with a knife.
- The grooves for connector covers do not need to be made if they are embedded in a levelling base board with a thickness of 6 mm and more. The groove is to be cut by knife.



- Roll up the heating foil and store it in a clean environment.
- Chip away or cut the grooves for supply cables and connector covers.
- Lay the levelling base boards.
- Unwind the heating foils and secure them to prevent sliding and folding (e.g. using sellotape).
- Connect the connectors and insulate them (measure the connecting supply cables between the foils exactly, only for the length which is absolutely necessary).
- Cover with PE foil with a minimum thickness of 0.2 mm. The floor is ready for the laying of the final covering.

6. Testing the floor heating

- Measure the resistance (R) of the whole set and write it down in the Certificate of Warranty. Check the measured values with the nominal values. The measured values must be within the tolerance of the resistance $\pm 10\%$ or within the tolerance of the output $\pm 10\%$.
- If the values meet the requirements, it is possible to lay the final covering. If they don't, contact the manufacturer/ supplier or check all the connections and repeat the measurement.

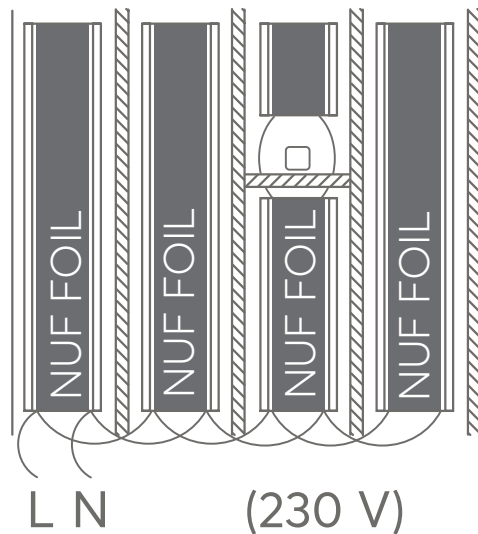
8. Start-up operation of the floor

- On the first day, set the floor temperature to be the same as the temperature in the room (maximum 18 °C).
- On the following days, increase the floor temperature gradually by 2 °C/day up to 28 °C.
- Maintain the floor temperature at 28 °C for a period of three days.
- Subsequently, decrease the floor temperature by 5 °C per day, until the starting temperature is achieved.
- Afterwards, it is possible to set the floor temperature to the required value and bring the floor into everyday operation.

9. Regulation

- Thermostats with a floor probe installed in the heating part of the floor, with at least 30 cm within the heated area, must be used for the thermal regulation of rooms heated using heating foils.
- Place a floor probe of a thermostat as near the floor surface as possible, but right under the heating foil, into a groove, when a laminated floor is installed.
- The radius of the bend of the conduit between the wall and the floor must be executed in such a way that the probe can be exchanged if needed! The recommended minimum bend radius is 6 cm.
- The thermostat must be set to the mode: Room + floor temperature limit or Floor. The maximum allowed floor temperature setting is 27°C.

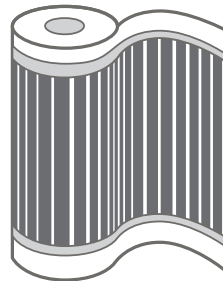
10. Foil connection diagram



NOBO

Nordic World Class Heating Solutions

This instruction manual is intended for the suppliers, owners and users of heating foils and in the case of a change of owner/user, it has to be handed over to the successor, together with a duly completed Certificate of Warranty.



Glen Dimplex Nordic AS
Box 16 N-7501 Stjørdal Norway
Phone: +4774829101
email: email@glendimplex.no
www.glendimplex.no



Nordic World Class Heating Solutions

INSTALLASJONSVEILEDNING

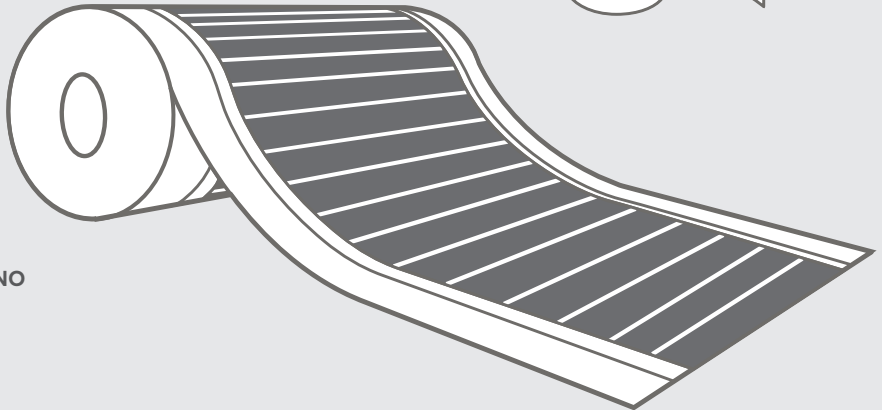
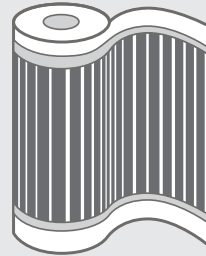
VARMEFOLIE

NUF60W/m² NUF80W/m²
40cm 60cm 100cm

GENERELLE BETINGELSER

INSTALLASJON

VARMEFOLIE NUF60W/m² NUF80W/m²



NO

NAVN	MAKSIMAL LENGDE	TOTAL BREDDE	AKTIV BREDDE	EFFEKT	EFFEKT	RESISTANS 1m
	[m]	[mm]	[mm]	[W/m ²]	[W/m]	[Ω]
NUF60 40cm	52,3	400	300	60	21	2589
NUF80 40cm	36,6	400	300	80	28	1889
NUF60 60cm	55	600	570	60	33	1603
NUF80 60cm	39,2	600	570	80	44	1202
NUF60 100cm	27,5	1000	970	60	58	909
NUF80 100cm	28,5	1000	970	80	77,6	682

Eksempel på sammenligning av den målte verdien med den nominelle verdien fra tabellen på tittelbladet (to fem meter lange og to fire meter lange remser med C520-folie ble installert, dvs. til sammen 18 m):

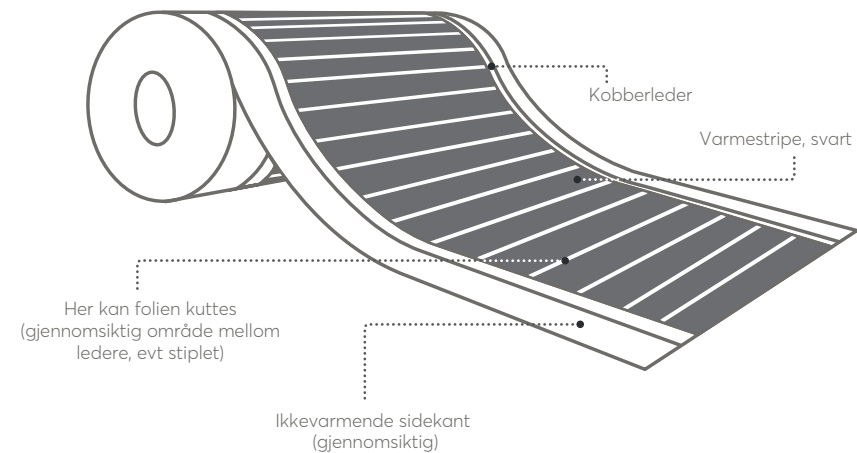
- Mål den installerte lengden til varmemfolien (m) og multipliser den med lengdeeffekten vist i tabellen (W/m): $P = 18 \text{ m} \times 80 \text{ W/m} = 1440 \text{ W}$
- Beregn toleransen, denne skal ligge mellom -10% ($1440 \text{ W} - 10\% = 1296 \text{ W}$) og +5% ($1440 \text{ W} + 5\% = 1512 \text{ W}$) for dette eksempelet
- Mål resistansen til varmemfolien (i dette eksempelet målt 37 Ω for 18 m med C 520 folie)
- Ved hovedspenning på 230V føres verdiene inn i formelen på følgende måte:
 $P = U^2/R$ hvor P = effekt (W), U = spenning (V) and R er resistans (Ω).
 I dette eksempelet: $P = 230^2 / 37 = 1430 \text{ W}$

Den beregnede verdien 1430W ligger innenfor toleransen beregnet i pkt 2 - KRAVENE ER OPPFYLT

Kontroll av resistansen:

- Mål lengden til varmemfolien som er installert (m). Divider resistansen som er oppgitt i tabellen (Ω) med den målte lengde for å finne riktig Ω/m: $R = 661 / 18 \text{ m} = 36.7 \Omega$
- Beregn toleransen: den laveste er $36.7 \Omega - 5\% = 34.9 \Omega$ og den høyeste er $36.7 \Omega + 10\% = 40.4 \Omega$
- Mål resistansen til varmemfolien – i dette eksempelet 37Ω for 18 m C520 folie
- Den målte elektriske resistansen er 37Ω og innenfor toleransen 34.9Ω til 40.4Ω – TILFREDSSTILLENDENDE.

VARMEFOLIE - NUF60W NUF80W



GENERELLE BETINGELSER

- Før man begynner å arbeide må man kontrollere om de innkjøpte delene er riktige iht. etikett og merkingen på folie, samt lese instruksjonene nøye.
- Varmefolien skal legges tørr, den skal ikke limes, men må være festet slik at den ikke flytter seg eller glir utenfor de ikke-varmende kantene.
- Det er ikke definert noen over- og undersider på varmemfolien.
- Forsyningskretsene må alltid være utstyrt med en ≤ 30 mA-jordfeilbryter. Installasjonen (frakobling, beskyttelse eller regulering) må gjøre det mulig med elektrisk utkobling av folien i begge poler.
- Varmefolien må ikke installeres på ujevne overflater.
- Foliens ikke-varmende kant er den langsgående gjennomsiktige delen, vanligvis merket med informasjon om produktet. Den går parallelt med kobberbanen. Denne kanten kan gjøres smalere ved å skjære den ned til minimum 11 mm bredde, eller den kan perforeres/gjennomhulles av spiker etc i en avstand på minimum 11 mm fra kobberbanen.
- Varmefolien må være i nær kontakt med de andre delene av bygningsstrukturen (med unntak for folier med en overflateeffekt på 80 W/m² og lavere) og den må være helt dekket av gulvets overflate.
- Varmefolien, inkludert tilkoblinger og tilkoblingsledere, må beskyttes mot skade under installasjonen (f.eks. mot fallende gjenstander eller skade på isolasjonen pga. gjenstander med skarpe kanter - personer som går på folien osv.) Du kan gå på varmemfolien hvis du har sko med myke såler og folien ligger på en flat og glatt overflate.
- Varmefolien må ikke legges i lag, dekke over eller komme i kontakt med varmende deler på noen andre områder enn de ikke-varmende kantene. De ikke-varmende kantene kan dekke hverandre. Varmefolier må alltid sikres mot forskyvninger.
- Varmefolier må ikke installeres når temperaturen er lavere enn 3 °C og de må ikke utsettes for temperaturer høyere enn 80 °C over lengre tid.
- Varmefoliens minste bøyingsradius er 35 mm og det må unngås at den brettes.
- Oppvarmede overflater må være adskilt fra veggene og andre ekspansjonsheter av en ekspansjonsfuge. Varmefolien må ikke gå gjennom ekspansjonsfugene, tilførselsledningen som går over disse fugene må plasseres slik at det er mulig for de adskilte enhetene å bevege seg fritt uten å skade kabelen.
- Varmefoliene er beregnet for en spenning på 230V.
- For seriekoblinger skal ikke verdien til strømmen som går gjennom kobberbanen overskride 10A. Den maksimale lengden varmemfolie som er tillatt finner du i tabellen på tittelbladet.
- Varmefolien kan kun deles ved å skjære den av vinkelrett på lengdeaksen slik at kuttet ikke går inn i den svarte karbonbanen som forbinder kobberbanene.
- Åpne skjærbare kanter må alltid være isolert langs hele lengden på kuttet, bortsett fra folier som er skåret langs den kuttbare kanten, hvor det holder å kun isolere kobberbanen.
- Hvis det gjøres et kutt eller en gjennomboring midt på folien, må du bryte opp de brutte karbonbanene med et kutt som er omtrent 11 mm bredt og isolere alle kantene på kuttet. Hvis kobberbanen er brutt, må du dele opp folien i to separate varmelengder, skjære ut det ødelagte området, skjære til de nye kantene så de blir rette og isolere dem. Varmefolien tilkobles deretter ved å følge vanlig prosedyre.
- Varmefolien er produsert iht. kravene i den nasjonale standarden og må legges etter gjeldende nasjonale krav og standarder.
- Når du installerer varmemfolien, må du følge kravene fra standarden EN 50559. Folien må installeres iht. nasjonale forskrifter for elektriske installasjoner.

- Nobø-varmemfolien er dekket med 0,1 mm tykk polyester-folie eller 0,2 mm polyetylen-folie, noe som oppfyller kravene til standard EN 60335-1 for klasse II-strukturer og standard EN 60335-2-96 for installasjon av varmeenheter i gulv eller tak.
- Å bruke varmemfolien på andre måter eller plassere den andre steder enn det som er nevnt i disse instruksjonene kan være farlig for liv og helse og kan føre til materielle skader. Garantibetingelsene gjelder ikke slik bruk.
- For å krympe kontakter skal du utelukkende bruke kontakter og verktøy fra Nobø. Det er kun materialer fra Nobø som skal brukes for å isolere kontakter og klippekantene på folien.
- Varmefolie skal ikke være dekket over lengre tid av gulvbelegg eller andre gjenstander med en termisk resistans (R) som er høyere enn 0,15 m²K/W.
- Leverandøren må informere andre leverandører, eiere og, om mulig, også brukeren om at ingen gjennomborende objekter, som spiker, skruer eller bor, skal brukes i området hvor varmemfolien er installert.
- Varmefolie skal ikke installeres i nærheten av aluminiumsfolier, folier som inneholder metaller eller på konstruksjoner med høy fuktighetsgrad.
- Et ark med informasjon om varmeanlegget må oppbevares permanent i tilknytning til varmeanlegget og gis videre til nye eiere eller leietakere.
- Leverandøren må informere brukeren om hvordan man benytter produktet. Dette er oppgitt på en etikett som følger med produktet og som må oppbevares i tilknytning til varmeanlegget. Denne etiketten informerer om at det er forbudt å lage gjennomføringer, det er også forbudt å dekke gulvet med innredning eller installasjoner uten å ivareta en avstand på minst 4 cm mellom gulvet og bunnflaten.



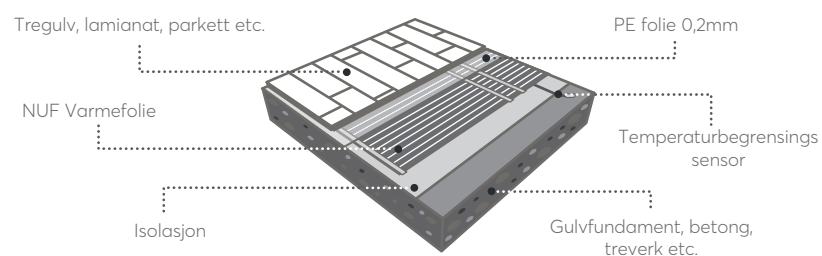
GULVVARMEFOLIE - NOBØ NUF

1. Installasjonsbetingelser

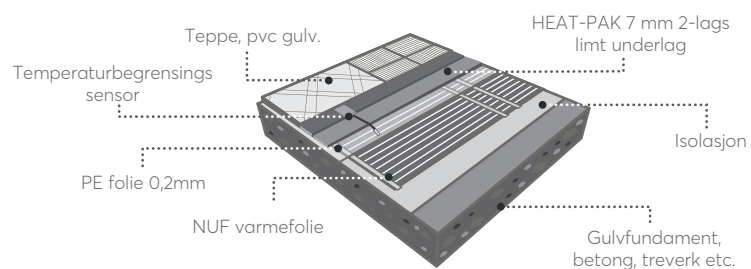
- Det må være lagt fuktsperre under gulvkonstruksjonen for å hindre at det siver vann inn gjennom varmeisolasjonen under varmemefolien. Vi anbefaler at den legges i to lag vinkelrett på hverandre med overlappende fuger.
- Varmefolien skal ikke legges under utstyr og objekter som er varig plassert i rommet og dermed hindrer varmespredningen (f.eks. møbler med sokkel osv.)
- For å beskytte mot fukt må det legges en dampspærre av PE-folie med en tykkelse på 0,2 mm over varmemefolien med overlappinger på minst 5 cm.
- Nobø NUF skal ikke installeres i rom med høyere fuktighet (baderom, vaskerom osv.)
- Det maksimale installasjonsarealet er 25 m² eller med en maksimal diagonal på 7 m.
- Varmefolien er ment for laminat- og tregulv og skal kun monteres av faglært personell i henhold til gjeldende regelverk.

2. Forlegningsmåte på ulike underlag

Gulvoppbygging varmemefolie



NUF Varmefolie sammen med teppe eller PVC gulv



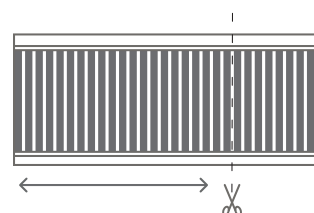
3. Krav til fundament

- Fundamentet må være tilstrekkelig flatt uten ujevnheter, humper eller fordypninger. Den kan være laget av betong, men også andre byggematerialer med tilstrekkelig bæreevne.
- Fundamentets fuktighet må ikke overstige 2 % (ca 60 % av den relative fuktigheten).

4. Forberede varmemefolie, ledere og kontakter

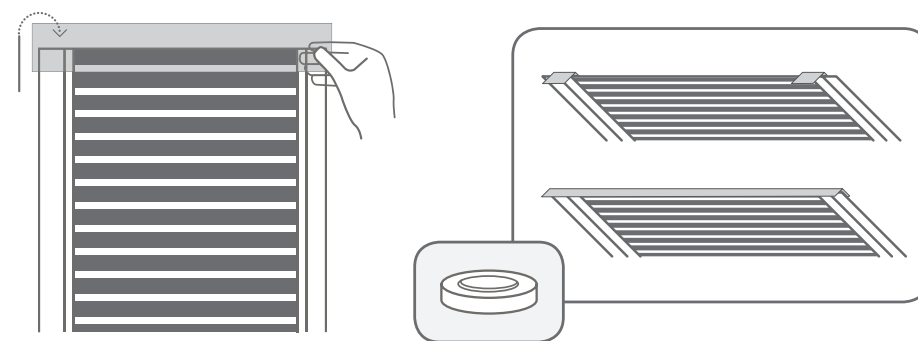
4. a) Klippe folien

- Les instruksjonene på langsiden av folien. Bruk saks for å klippe til ønsket lengde. Klipp langs anviste stiplede linjer.



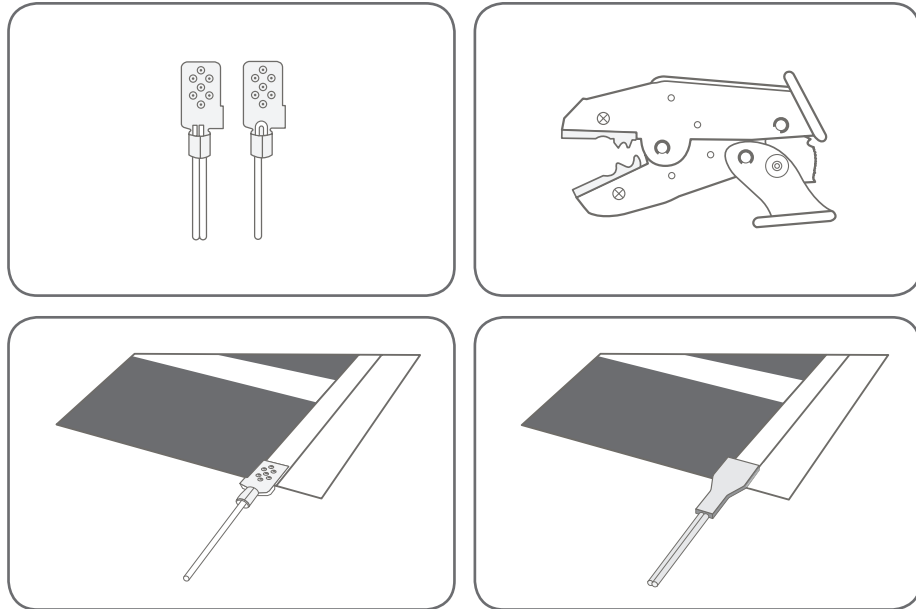
4. b) Isolere klippekanten

- Hele klippekanten må isoleres med 28 mm tape.



4. c) Feste tilkoblingskontaktene til varmemfolien

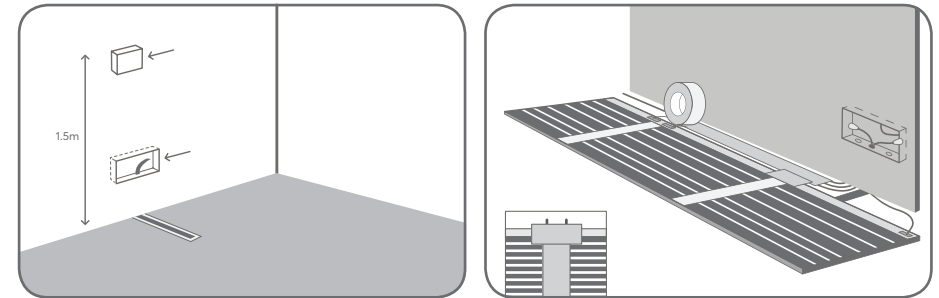
- Monter først tilførselskablene på kontakten. Bruk Nobø presstang og kabelsko. Tverrsnittet til tilkoblingslederen må være minst 3 mm² ettersom kontaktene er dimensjonert for å kunne koble sammen to ledere. Dersom bare én leder er tilkoblet, må du bøye lederen inn i kontakten slik at du får nødvendig tverrsnitt.
- Plasser kontakten midt på kobberbanen. Lukk deretter den skrå delen av festet ved å klemme det sammen med fingrene. Bruk presstang for å bestemme hvordan den skrå delen av festet skal plasseres til slutt. Press først kontakten fra den ene siden og deretter fra den andre siden for å sikre at festet er presset tilstrekkelig sammen. Presstangens momentfunksjon sørger for at korrekt moment er oppnådd. Sjekk alltid at kontakter er korrekt festet.
- Deretter utfører du isolasjonen med vulketape, med en minste overlappning på 11 mm fra de strømførende delene.



5. Legge og koble til varmemfolien

- Rydd ut rommet hvor leggingen skal foregå og rengjør underlaget.
- Mål gulvets overflate og bruk disse målene for å skissere hvordan varmemfolien skal ligge, tegn enten rett på gulvet eller på papir.
- Mål varmemfolien i henhold til tegningen og klipp den opp til enkeltlengder.
- Rull ut lengdene på gulvet, kontroller at foliedimensjonene kan legges i henhold til vilkårene i disse instruksjonene og romdimensjonene.

- Rull varmemfoliene delvis inn igjen og bruk tape for å unngå at de ruller ut igjen slik at de ikke skades. Marker på gulvet hvor tilførselskabler og kontaktdeksler skal ligge.
- Det er ikke behov for å skjære ut spor for NUC 1,5mm² tilførselskabler så lenge de er i flukt med isolasjonsplaten, denne må ha en tykkelse på minimum 3 mm. Skjær ut sporet med kniv. Se illustrasjon til venstre over.
- Du trenger ikke å lage spor til kontaktdekslene hvis de er i flukt med isolasjonsplaten, denne må ha en tykkelse på minimum 6 mm. Skjær ut sporet med kniv. Se illustrasjon til høyre under.



- Rull inn varmemfolien og lagre den i rene omgivelser.
- Snitt eller skjær ut sporene til tilførselskablene og kontaktdekslene.
- Legg fotlistene.
- Rull ut varmemfoliene og sikre dem mot å skli og brette seg (f.eks. ved å bruke tape).
- Koble til kontaktene og isoler dem (mål de tilsluttende tilførselskablene nøyaktig, kun lengden som er helt nødvendig).
- Dekk til med PE-folie med en minste tykkelse på 0,2 mm. Du kan nå legge det siste belegget på gulvet.

6. Teste gulvvarmen

- Mål resistansen (R) til hele settet og skriv ned i garantibeviset/samsvarserklæringen. Sammenlign de målte verdiene med de nominelle verdiene. De målte verdiene må være innenfor toleransen til resistansen +10% og innfor toleransen til effekten +-10 %.
- Hvis verdiene møter kravene, kan du legge det siste belegget. Hvis ikke, må du kontakte produsenten/leverandøren eller kontrollere alle tilkoblingene og gjenta målingen.

7. Siste måling (etter at gulvbelegget er lagt)

- Mål effekten og sammenlign resultatet med den forrige målingen.
- De målte verdiene må stemme overens med den første målingen. Ikke registrer den andre verdien i garantibeviset ved eventuelle avvik, ettersom det høyst sannsynlig har oppstått skader under leggingen. Finn feilen, eller kontakt produsenten eller leverandøren.

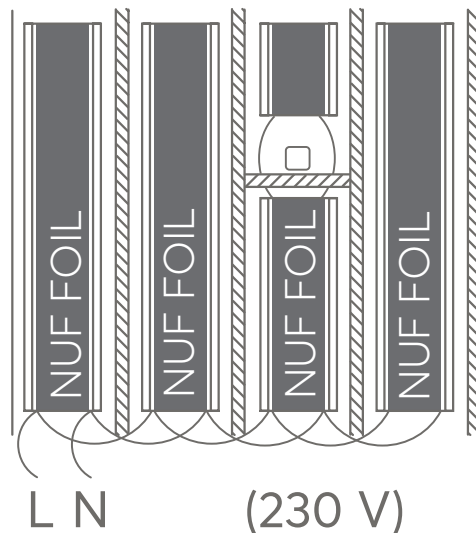
8. Ta gulvet i bruk

- På den første dagen settes gulvtemperaturen til å være lik temperaturen i rommet (maks 18 °C).
- På de følgende dagene økes gulvtemperaturen gradvis med 2 °C pr. dag opp til 27 °C.
- Oppretthold gulvtemperaturen på 27 °C i en periode på tre dager.
- Siden senker du gulvtemperaturen med 5 °C pr. dag til starttemperaturen er nådd.
- Deretter er det mulig å sette gulvtemperaturen til ønsket verdi og ta gulvet i daglig bruk.

9. Regulering

- Termostater med gulvføler installert i gulvets varmedel minst 30 cm innenfor det oppvarmede området må brukes for å regulere varmen i rom som varmes opp med varmemefolie.
- Legg en gulvføler fra en termostat så nær gulvoverflaten som mulig, i et spor rett under varmemefolien, når det er installert laminatgulv.
- Bøyningsradiusen til ledningsrøret mellom veggen og gulvet må utføres slik at føleren kan skiftes ut om det blir nødvendig. Den anbefalte minste bøyningsradiusen er 6 cm.
- Sett termostaten til modusen: Rom- + gulvtemperaturgrense eller Gulv. Høyeste tillatte gulvtemperaturinnstilling er 27 °C.

10. Koblingsskjema folie



12. Garanti og reklamasjon

Glen Dimplex Nordic AS garanterer at produktet er fritt for produksjonsfeil i en periode på fem år fra kjøpsdato angitt i garantibevis. Installasjon må være utført innen seks måneder fra kjøpsdato. Følgende forutsetninger gjelder:

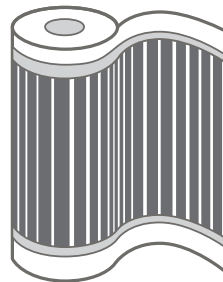
- Garantibevis/samsvarserklæring og kjøpsdokumentasjon er fylt ut
- Fremgangsmåten beskrevet i denne bruksanvisningen er fulgt
- Informasjon om legging og tilkobling av kabelen i gulvet og de målte verdiene for varmekabelens isolasjonsresistans er gitt

Fremgangsmåten for å legge forseglingssement angitt av produsenten har blitt fulgt. Ved reklamasjonssaker skal Glen Dimplex Nordic skal alltid kontaktes før eventuelle utbedringer iverksettes. Se www.glendimplex.no for utvidede garantibetingelser og garantibevis/samsvarserklæring.

NOBO

Nordic World Class Heating Solutions

Denne manualen er laget for installatører, eiere og brukere av varmemefolie NUF og må overlates til ny eier/bruker ved eierskifte sammen med korrekt utfylt garantibevis/samsvarserklæring.



Glen Dimplex Nordic AS
Box 16 N-7501 Stjørdal Norway
Phone: +4774829101
email: email@glendimplex.no
www.glendimplex.no



Nordic World Class Heating Solutions

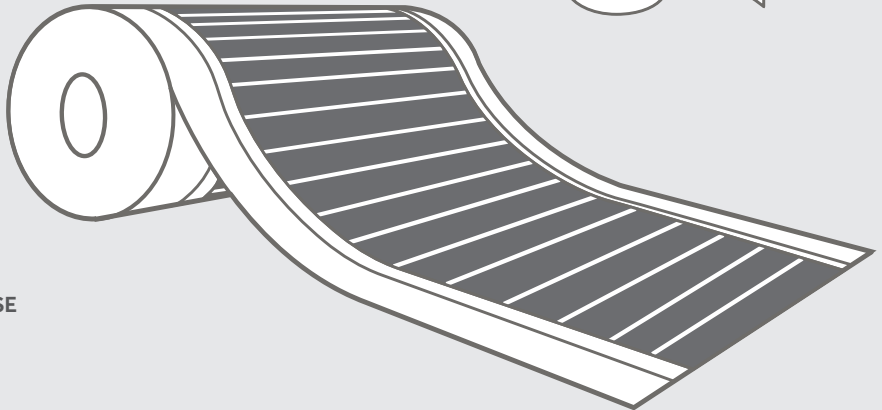
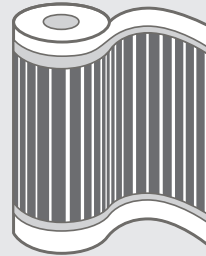
INSTALLATIONSMANUAL

VÄRMEFOLIE NUF60W/m² NUF80/m² 40cm 60cm 100cm

ALMÄNNA VILKOR

INSTALLATIONSMANUAL

VÄRMEFOLIE NUF60W/m² NUF80W/m²



SE

NAME	MAX LÄNGDE [m]	TOTAL BREDD [mm]	VÄRME BREDD [mm]	EFFEKT [W/m ²]	EFFEKT [W/m]	MOTSTÅND 1m [Ω]
NUF60 40cm	52,3	400	300	60	21	2589
NUF80 40cm	36,6	400	300	80	28	1889
NUF60 60cm	55	600	570	60	33	1603
NUF80 60cm	39,2	600	570	80	44	1202
NUF60 100cm	27,5	1000	970	60	58	909
NUF80 100cm	28,5	1000	970	80	77,6	682

Exempel på jämförelse av det uppmätta värdet med nominalvärdet från tabellen på titelsidan (två banor på fem meter och två banor på fyra meter med C520-folie installerades, d.v.s. totalt 18 m):

- mät längden på den installerade värmefolien (m) och multiplicera den med längden som visas i tabellen (W/m): $P = 18 \text{ m} \times 80 \text{ W/m} = 1\,440 \text{ W}$;
 - räkna ut toleransen: den nedre är -10 % = 1 296 W och den övre är +5% = 1 512 W;
 - mät resistansen för värmefolien (till exempel 37 Ω för 18 m C 520-folie);
 - nätspänningen är 230 V;
- ange värdena i formeln $P = U^2/R$ där $P =$ uteffekt (W), $U =$ spänning (V) och R är resistansen (Ω).

Så exempelvis $P = 230^2 / 37 = 1\,430 \text{ W}$;

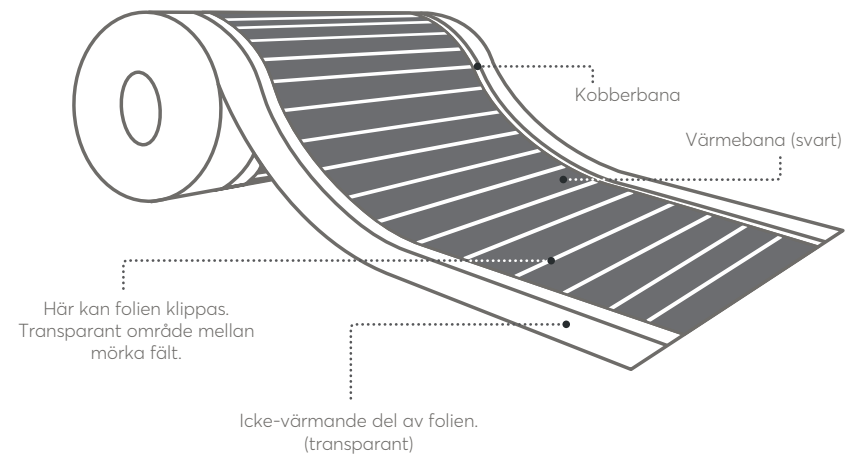
- de uppmätta värdena för resistans ligger inom toleransen som anges i tabellvärdena för folien – DEN UPPFYLLER KRAVEN

Kontroll av resistans:

- Mät längden på den installerade värmefolien (m). Dividera* resistansen som står angiven i tabellen (Ω) med den uppmätta värdet:
- $R = 661/18 \text{ m} = 36,7 \Omega$;
- Räkna ut toleransen: den nedre är -5 % = 34,9 Ω och den övre är +10 % = 40,4 Ω;
- Mät resistansen för värmefolien – t.ex. 37 Ω för 18 m C 520-folie;
- Det uppmätta värdet för elektrisk resistans ligger inom toleransen – OK

* total resistans minskar när längden ökar

VÄRMEFOLIE - NUF60W NUF80W



Allmänna villkor

- Innan du packar upp materialet och börjar arbeta ska du kontrollera att alla inköpta delar är korrekta enligt etiketterna och texten på folien, samt läsa dessa instruktioner noga.
- Värmefolien är utformad för torr läggning. Den är inte limmad, men måste sättas fast för att förhindra att den flyttar sig/glider utanför kanterna utan värme.
- Det finns inga definierade övre och undre ytor på värmefolien.
- Matningen till värmefolien ska alltid föregås av en jordfelsbrytare på ≤ 30 mA för nominell märkström. Installationen (frånkoppling, skydd eller reglering) måste möjliggöra elektrisk 2-polig frånkoppling av folien.
- Värmefolien får inte installeras på oregelbundna ytor.
- Filmens kant utan värme är den långsgående genomskinliga delen som vanligtvis innehåller information om produkten. Den är parallell med kopparbanan. Kanten kan göras smalare genom att klippa den till en tjocklek på minst 11 mm, eller så kan den perforeras/genomborras med en spik på ett avstånd på 11 mm från kopparbanan.
- Värmefolien måste vara i nära kontakt med de andra delarna av byggnadskonstruktionen (förutom folie som har en yteffekt på 80 W/m² och lägre), plus att den måste täckas helt av ett golv.
- Värmefolien, inklusive anslutningar och matningsledare, måste skyddas mot skada under installationen (t.ex. mot fallande föremål eller skada på isoleringen orsakad av vassa kanter på föremål, att man kliver på den etc.) Du kan gå på värmefolien förutsatt att skorna har mjuka sulor och att folien är placerad på ett plant och jämnt underlag.
- Värmefolie får inte läggas i lager, överlappa varandra eller vidröra andra delar någon annanstans än vid kanterna utan värme. Kanterna utan värme får överlappa varandra. Man måste alltid säkerställa att värmefolien inte kan glida.
- Värmefolien får inte installeras i temperaturer lägre än 3 °C och de får inte utsättas för temperaturer högre än 80 °C under längre tid.
- Värmefoliens minsta böjningsradie är 35 mm och veckning måste förebyggas.
- Uppvärmad golvbeläggning måste separeras från väggarna och andra expansionsenheter med hjälp av en expansionsfog. Värmefolien får inte passera genom expansionsfogarna. Matningskabeln som passerar över dessa skarvar måste placeras så att de avskilda enheterna kan rör sig fritt utan att skada kabeln.
- Värmefolien är avsedd för en spänning på 230 V~.
- För seriella anslutningar får värdet på strömmen som passerar genom kopparledaren inte överstiga 10 A. Den maximala längden på värmefolien som härleds från detta visas i tabellen på titelsidan.
- Värmefolien kan endast delas genom att klippa den vinkelrätt i förhållande till den långsgående sidan, på ett sådant sätt att snittet inte går in på den svarta värmebanan som är ansluten till kopparbanan.

- Öppna klippbara kanter måste alltid isoleras längs med hela snittets längd, förutom när det gäller foliebitar som är klippta längs med den klippbara kanten, där det räcker att bara isolera kopparbanan.
- Om ett snitt/hål uppstår mitt på folien ska du dela upp de trasiga värmebanorna med ett snitt som är ca 11 mm brett och isolera alla kanter på snittet. Om kopparbanan går sönder måste du dela upp folien i två separata värmebanor, klippa bort den skadade delen, klippa de nya kanterna raka och isolera dem. Värmefolien ansluts sedan med hjälp av standardproceduren.
- Värmefolien är tillverkad enligt kraven i nationell standard. Värmefolien ska installeras enligt nationella krav och standarder.
- Vid installation av värmefolien ska kraven i standarden EN 50559 uppfyllas och den ska installeras enligt nationella förordningar för elinstallationer.
- Genom att täcka över Nobö NUM värmefolie med en 0,1 mm tjock polyesterfolie eller 0,2 mm polyetylenfolie uppfyller man kraven i standarden EN 60335-1 för konstruktioner av klass II och standarden EN 60335-2-96 för placering av värmeenheter i golv.
- Annan användning eller placering av värmefolien än vad som nämns i dessa instruktioner kan vara farligt för människors hälsa eller orsaka materiella skador. Garantin gäller inte för sådan användning.
- För krympning av kontakter får endast kontakter och verktyg som tillhandahålls av Nobö användas. Endast isoleringsmaterial som tillhandahålls av Nobö får användas för installationen av kontakter och klippta kanter på folien.
- Värmefolie får inte övertäckas under längre tid av golvbeläggningar eller andra föremål som har en värmesistans (R) högre än 0,15 m²K/W.
- Installatören måste tillhandahålla information till andra entreprenörer, ägare och eventuellt användare om att inga spetsiga föremål, t.ex. nålar, skruvar eller borrar, får användas i utrymmet där värmefolien installeras.
- Värmefolien får inte installeras i närheten av aluminiumfolie, folie som innehåller metall eller på konstruktioner med hög luftfuktighet..
- Dokumentation med information om värmesystemet måste alltid finnas tillgängligt och lämnas över till eventuella nya ägare eller hyresgäster.
- Användaren måste instrueras av installatören gällande installation av värme i golv. Detta står angivet på etiketten som medföljer produkten och denna måste limmas fast på elcentralen: den här etiketten informerar även om att det är förbjudet att göra hål i folien och att placera möbler eller armaturer på golvet utan att lämna ett avstånd på minst 4 mm mellan golvet och den undre ytan..



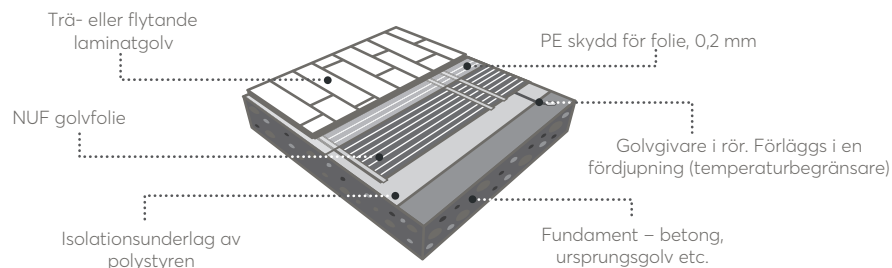
Golvvärmefolie – Nobö NUF

1. Installationsförhållanden

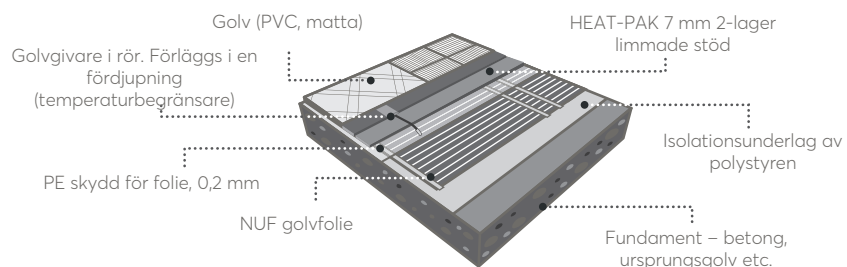
- Fuktspärr måste utföras innan läggningen av golvet för att förhindra att vatten tar sig igenom värmeisoleringen under värmefolien – vi rekommenderar att detta läggs i två lager vinkelräta mot varandra, med överlappande fogar.
- Värmefolien ska inte läggas under permanent utrustning och föremål som förhindrar värmspridning (t.ex. möbler med fötter etc.)
- För att skydda mot fukt måste en ångspärr av PE-folie med en tjocklek på 0,2 mm läggas på värmefolien med överlappningar på minst 5 cm.
- Nobö NUF ska inte installeras i rum med högt luftfuktighet (badrum, tvättstugor etc.)
- Den maximala expansionsenheten är 25 m² eller med en maximal diagonal på 7 m.
- Värmefolien är avsedd för limmade laminatgolv och trägolv som läggs med foder runt utkanterna för att förhindra obehörig demontering av golvbeläggningen.

2. Val av underlag för installation av Nobö NUF värmefolie direkt under ett flytande golv

Genomsnittsbild av golv – komfort värme



Värmefolie under en matta eller PVC



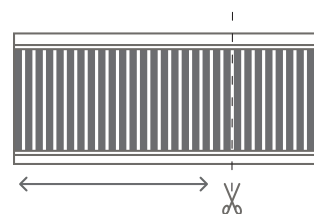
3. Underlagets kvalitet

- Underlaget måste vara tillräckligt plant, utan några utstickande delar, förhöjningar eller fördjupningar. Det kan vara tillverkat av betong, men även andra material av tillräcklig bärcapacitet.
- Underlagets fuktighet får inte överstiga 2 % (va 60 % av relativ luftfuktighet).

4. Förberedelse av värmefolie, ledare och kontakter

4. a) Klippa till folien

- Kontrollera etikettinformationen på foliens kant. Använd en sax och klipp till den längd som behövs för projektet på den utmärkta platsen. Klipp längs mitten av banan.

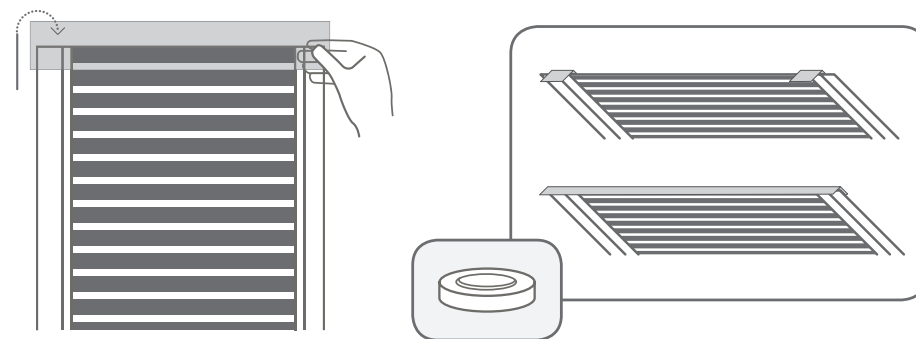


Det finns två varianter av klipplängder:

- a) variant 1 med en klipplängd på 320 mm eller 22 mm
- b) variant 2: klipplängd 10 mm

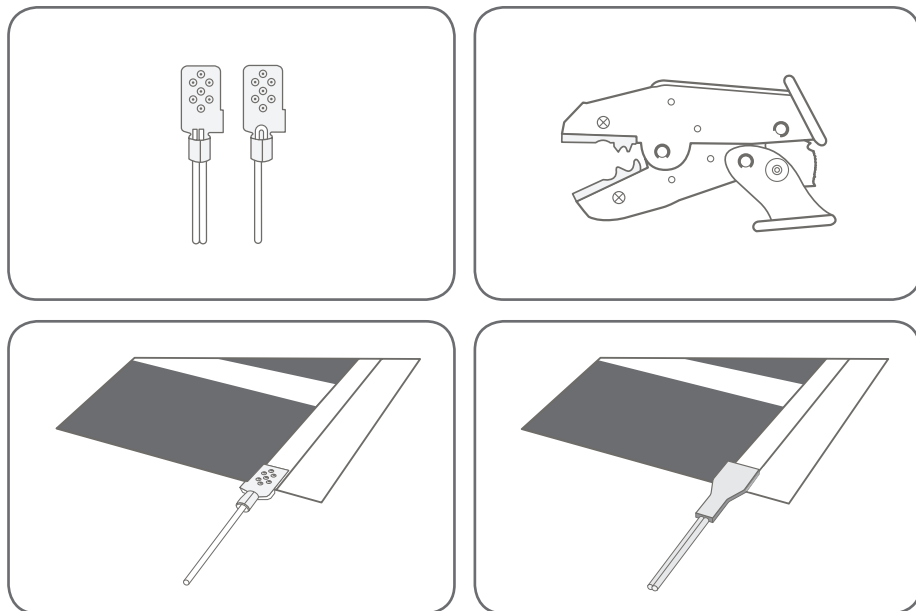
4. b) Isolering av den klippta kanten

- Om variant 1 används räcker det att isolera båda de öppna kanterna av koppartejpen med 28 mm bred tejp.
- Om variant 2 används måste hela den klippta kanten isoleras för med 28 mm bred tejp och sedan 38 mm bred tejp ovanpå det.



4. c) Sätta fast anslutningskontakter i värmefolien

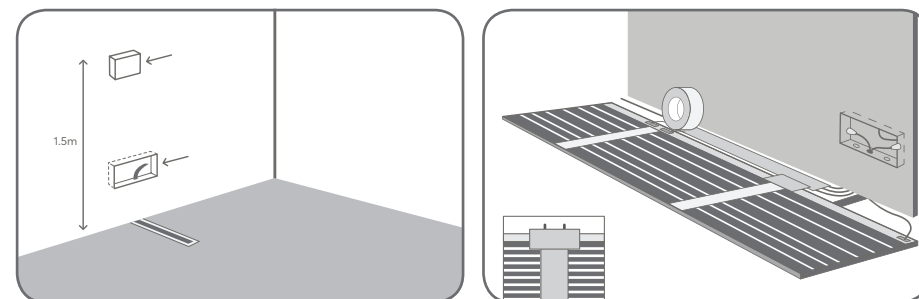
- Först trycks matarkablarna fast i kontakten och sedan trycks kontakten fast i värmefolien. Anslutningsledarens tvärsnitt måste vara minst 3 mm², eftersom kontaktarna är dimensionerade på sådant sätt att två ledare behöver anslutas. Om endast en ledare är ansluten måste du böja in ledaren i kontakten så att det obligatoriska tvärsnittet skapas.
- Anslutningsfästet ska placeras mitt i kopparbanan och sedan ska den lutande delen av fästet stängas genom att man trycker med fingrarna. Använd en krymptång för att fastställa den definitiva positionen för den lutande delen av fästet. Krymp kontakten först från sidan av fästelementet och sedan från den öppna sidan för att säkerställa att fästet pressas ihop tillräckligt mycket. Spärren på krymptången förhindrar att käftarna öppnas innan önskat tryck uppnås.
- Sedan ska du isolera med hjälp av MASTIC-tejp med en minsta överlappning på 11 mm från de strömförande delarna.



5. Placering och anslutning av värmefolien

- Städa rummet där folien ska läggas.
- Mät golvytan och rita sedan upp hur värmefolien ska läggas direkt på golvet eller på ett papper.
- Mät värmefolien enligt ritningen och klipp ut enskilda banor.
- När du rullar ut foliebanorna på golvet ska du kontrollera att måtten på banorna kan läggas enligt dessa instruktioner och rummets mått.

- Rulla upp värmefolien en bit och tejpa fast den så att du inte trampar på den om den rullar ut. Märk sedan ut på golvet var skårar ska skäras ut för kablar och kontakthöljen.
- Du behöver inte skära ut några skårar för anslutningskabeln om den ligger kant i kant med en nivelleringsbasskiva med en tjocklek på 3 mm eller mer. Skåran ska skäras ut med hjälp av en kniv.
- Skårorna för kontakthöljen behöver inte göras om de är monterade i en nivelleringsunderlagsskiva med en tjocklek på 6 mm eller mer. Skåran ska skäras ut med hjälp av en kniv.



- Rulla upp värmefolien och förvara den på en ren plats.
- Hugg eller skär ut skårorna för matarkablar och kontakthöljen.
- Lägg nivelleringsbasskivorna.
- Rulla ut värmefolien och sätt fast den för att förhindra att banorna glider eller viker sig (t.ex. med hjälp av eltejp).
- Anslut kontaktarna och isolera dem (mät anslutningskablarna mellan foliebitarna exakt, endast för den längd som är absolut nödvändig).
- Täck över med PE-folie med en minsta tjocklek på 0,2 mm. Golvet är nu redo för lagging av det sista lagret.

6. Testa golvvärmen

- Mät resistansen (R) för hela anläggningen och skriv ned den på garanticertifikatet. Kontrollera de uppmätta värdena mot nominalvärdena. De uppmätta värdena måste ligga inom toleransen för resistansen -5 % +10 % eller inom toleransen för uteffekten + 5 % -10 %.
- Om värdena uppfyller kraven kan du lägga klart golvet. Om de inte uppfyller kraven ska du kontakta tillverkaren/leverantören eller kontrollera alla anslutningar och upprepa mätningen.

7. Slutgiltig mätning (efter att golvet har lagts)

- Mät uteffekten och jämför resultaten med resultatet från tidigare mätning.
- De uppmätta värdena från den första och andra mätningen ska stämma överens. Om avvikelser förekommer ska du inte skriva ned det andra värdet på garanticertifikatet, eftersom det är sannolikt att skada inträffat när golvet lades. Ta reda på vad som är fel, eller kontakta tillverkaren eller leverantören.

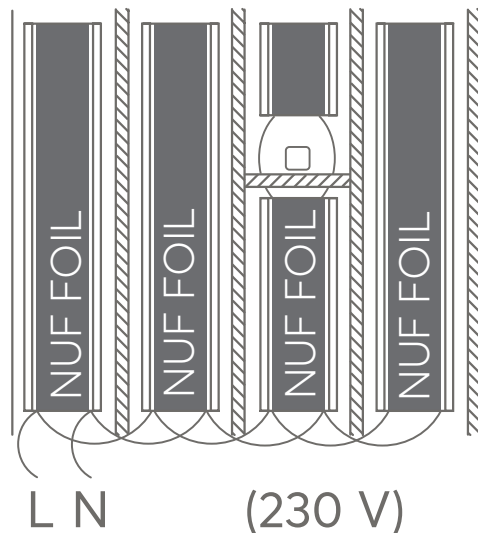
8. Börja använda golvvärmen

- Den första dagen ska du ställa in golvttemperaturen på samma temperatur som det är i rummet (som mest 18 °C).
- Efterföljande dagar ökar du golvvärmen gradvis med 2 °C/dag upp till 28 °C.
- Låt golvttemperaturen ligga på 28 °C i tre dagar.
- Sänk sedan golvttemperaturen med 5 °C per dag, tills starttemperaturen uppnås.
- Sedan kan du ställa in golvttemperaturen på önskat värde och börja använda golvvärmen.

9. Reglering

- Termostater med en golvgivare installerad i den uppvärmda delen av golvet, där minst 30 cm ska ligga inom den uppvärmda delen, måste användas för värmeregleringen av rum som värms upp med hjälp av värmefolie.
- Om golvet är ett laminatgolv ska du placera en termostats golvgivare i en skåra så nära golvytan som möjligt, men precis under värmefolien.
- Böjningsradien på ledaren mellan väggen och golvet måste vara sådan att givaren kan bytas ut om det behövs! Den rekommenderade minsta böjningsradien är 6 cm.
- Termostaten måste vara inställd på följande läge: Temperaturgräns för rum + golv eller Golv. Maximal tillåten temperaturinställning är 27 °C.

10. Kopplingschema för folie



12. Garanti, klagomål

Nobö som leverantör av NUF värmefolie ger en garanti på 10 år gällande produktens funktion från det att installationen har bekräftats på garanticertifikatet (installationen måste utföras minst 6 månader från försäljningsdatumet), förutsatt att följande uppfylls:

- ett ifyllt garanticertifikat och ett kvitto lämnas in
- installationsproceduren som beskrivs i dessa instruktioner har följts
- uppgifter om hur folien är placerad i golvet, anslutningar och mättningsresultat lämnas in.

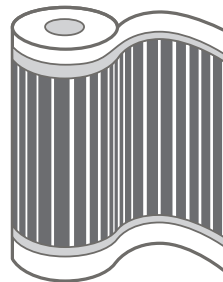
Alla anspråk ska göras skriftligen till installationsfirman eller direkt till tillverkaren.

Anspråksproceduren är även tillgänglig på webbplatsen: www.glendimplex.se

NOBO

Nordic World Class Heating Solutions

Denna instruktionsmanual är avsedd för leverantörer, ägare samt användare av värmekabel. Manualen ska följa anläggningen och överlämnas till evt ny ägare/användare tillsammans med garantibevis.



Glen Dimplex Nordic AB
Linjalvägen 6A, 187 66 Täby
Tel: 08-471 03 50
www.glendimplex.se



Nordic World Class Heating Solutions

INSTALLATIONSMANUAL

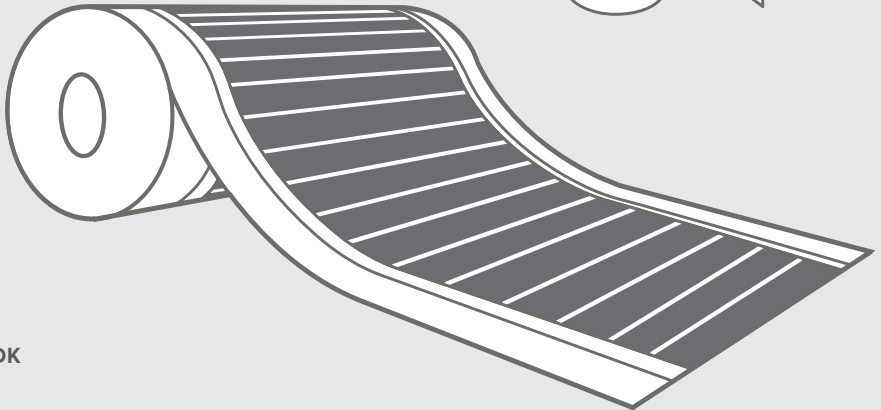
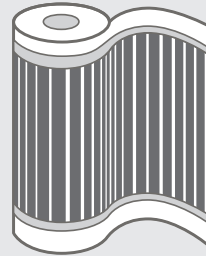
VARMEFOLIE

NUF60W/m² NUF80W/m²
40cm 60cm 100cm

ALMINDELIGE BETINGELSER

INSTALLATIONSFORHOLD

GARANTI OG REKLAMATIONER



DK

NAVN	MAKSIMAL LÆNGDE	TOTAL BREDDER	AKTIV BREDDER	EFFEKT	EFFEKT	MODSTAND 1m
	[m]	[mm]	[mm]	[W/m ²]	[W/m]	[Ω]
NUF60 40cm	52,3	400	300	60	21	2589
NUF80 40cm	36,6	400	300	80	28	1889
NUF60 60cm	55	600	570	60	33	1603
NUF80 60cm	39,2	600	570	80	44	1202
NUF60 100cm	27,5	1000	970	60	58	909
NUF80 100cm	28,5	1000	970	80	77,6	682

Eksempel på sammenligning af den målte værdi med den nominelle værdi fra diagrammet på titelbladet (to baner C520-folie på fem meter og to baner C520-folie på fire meter blev installeret, dvs. en samlet længde på 18 m):

- Mål længden af den installerede varmemefolie (m), og gang den med længdeeffekten vist i tabellen (W/m):
 $P = 18 \text{ m} \times 80 \text{ W/m} = 1440 \text{ W}$
 - Beregn tolerancen: Den nederste er -10 % = 1296 W, og den øverste er +5 % = 1512 W
 - Mål varmemefoliens modstand (for eksempel 37 Ω til 18 m C520-folie)
 - Netspændingen er 230 V
- Indtast værdierne i formelen $P = U^2/R$, hvor P = effekt (W), U = spænding (V) og R er modstand (Ω).

For eksempel $P = 230^2 / 37 = 1430 \text{ W}$

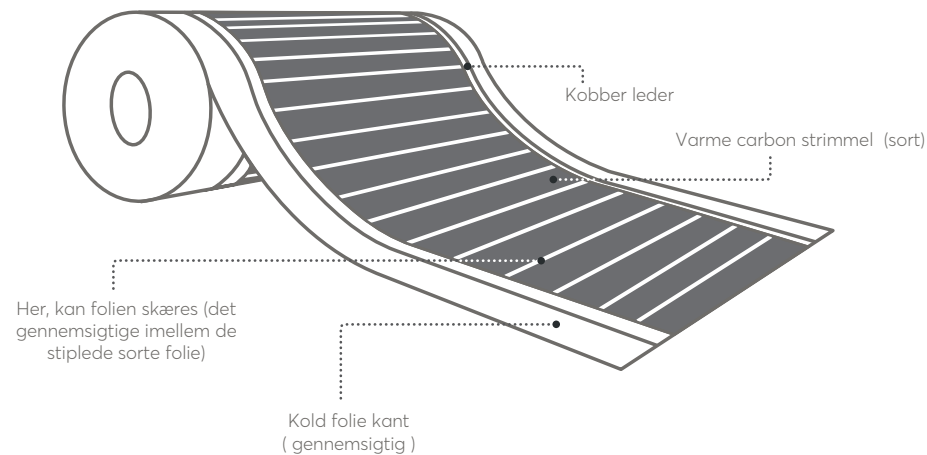
- De målte modstands værdier ligger inden for tolerancen angivet i tabelværdierne for folien – DEN OPFYLDER KRAVENE

Eftersyn i henhold til modstand:

- Mål den installerede længde af varmemefolien (m). Divider* modstanden angivet i tabellen (Ω) med den målte længde:
- $R = 661 / 18 \text{ m} = 36,7 \Omega$
- Beregn tolerancen: Den nederste er - 5 % = 34,9 Ω , og den øverste er +10 % = 40,4 Ω
- Mål varmemefoliens modstand – for eksempel 37 Ω til 18 m C520-folie
- Den målte modstandsværdier ligger inden for tolerancen – TILFREDSSTILLEND.

* samlet modstand aftager ved øget længde

VARMEFOLIE - NUF60W NUF80W



Almindelige betingelser

- Inden du pakker ud og begynder at arbejde, skal du kontrollere, at de indkøbte dele er korrekte i henhold til mærkater og tryk på folien og læse vejledningen nøje.
 - Varmefolien er designet til en tør nedlægningsproces. Den limes ikke fast, men skal fastgøres, så den ikke bevæger sig/glider ud over de kolde kanter.
 - Der er ikke nogen fastlagt for- og bagside på varmemfolien.
 - Forsyningskredsen skal altid være udstyret med en ≤ 30 mA- fejlstrømsafbryder. Udførelsen af installationen (frakobling, beskyttelse og regulering) skal muliggøre elektrisk frakobling af folien ved alle poler.
 - Varmefolien må ikke installeres på ujævne overflader.
 - Foliens kolde kant er den langsgående gennemsigtige del, hvor der som regel er trykt og skrevet oplysninger om produktet. Den ligger parallelt med kobberbanen. Denne kant kan gøres smallere ved at skære til mindst 11 mm i tykkelse eller ved at perforere/stikke hul med et søm med en afstand på 11 mm fra kobberbanen.
 - Varmefolien skal være i tæt kontakt med de andre dele af bygningskonstruktionen (undtagen i tilfælde, hvor folien har en overfladeeffekt på 80 W/m² og lavere), og den skal dækkes fuldstændigt af et gulv.
 - Varmefolien, herunder tilslutninger og kabler skal beskyttes mod beskadigelse under installationen (f.eks. mod faldende genstande eller beskadigelse af isoleringen af skarpe kanter på genstande – skridt på folien osv.) Du må gerne gå på varmemfolien, så længe dine sko har bløde såler, og folien er placeret på en flad og jævn overflade.
 - Varmefolier må ikke nedlægges i lag, overlappe hinanden eller røre andre dele på andre steder end de kolde kanter. De kolde kanter må gerne overlappe hinanden. Varmefolien skal altid sikres mod forskydninger.
 - Varmefolier må ikke installeres ved en temperatur lavere end 3 °C, og de må ikke udsættes for temperaturer højere end 80 °C i længere tid.
 - Varmefoliens minimumsbøjningsradius er 35 mm, og foldning skal undgås.
 - Opvarmede overflader skal adskilles fra væggene og andre udvidelseselementer med en expansionsfuge. Varmefolien må ikke gå igennem expansionsfugerne. Kablerne, som ligger over disse fuger, skal placeres på en sådan måde, at de adskilte fuger har bevægelsesfrihed uden at gøre skade på kablet.
 - Varmefolien er beregnet til en spænding på 230 V~.
 - I serieforbindelser må værdien for strømmen, der går gennem kobberbanen, ikke overstige 10 A. Maksimumlængderne af varmemfolie, der udledes af dette, findes i tabellen på titelbladet.
 - Varmefolien kan kun deles ved at klippe den vinkelret på længdeaksen på en sådan måde, at snittet ikke rammer den sorte varmebane, som forbinder kobberbanen.
-
- Åbne afklippede kanter skal altid isoleres langs hele snittet, undtagen i tilfælde af folier, der er skåret langs den afklippede kant, hvor det er tilstrækkeligt kun at isolere kobberbanen.
 - Hvis der opstår et snit/hul midt i folien, skal de ødelagte varmebaner deles op med et snit på ca. 11 m bredde, og alle snittets kanter skal isoleres. Hvis kobberbanen er ødelagt, skal folien deles op i to adskilte varmebånd, den ødelagte del klippes ud, de nye kanter klippes lige og isoleres. Varmefolien tilsluttes efterfølgende i henhold til standardproceduren.

- Varmefolien er fremstillet i henhold til kravene til den nationale standard. Varmefolien må installeres efter gældende nationale krav og standarder.
- Når varmemfolierne installeres, skal standardkravene for EN 50559 opfyldes i overensstemmelse med de nationale regulativer for elektriske installationer.
- Overdækningen af Nobø-varmemfolie med 0,1 mm tyk polyesterfolie eller 0,2 mm opfylder kravene til EN 60335-1-standard for klasse II-konstruktioner og EN 60335-2-96-standard for installation af varmeelementer i gulv eller loft.
- Anden brug af varmemfolien eller anden placering af varmemfolien, som ikke er nævnt i denne vejledning, kan være sundheds- og livsfarlig eller kan forårsage materiel skade. Garantibetingelserne gælder ikke for den slags brug.
- Til crimpningen af stikforbindelser skal der udelukkende bruges stikforbindelser og niptænger fra Nobø. Der må kun anvendes isoleringsmaterialer fra Nobø til isolering af stikforbindelser og afskårne kanter på folien.
- Varmefolien må ikke overdækkes i længere tid af en gulvbelægning eller andre genstande med en varmestands (R), der er højere end 0,15 m²K/W.
- Installatøren skal oplyse andre entreprenører, ejere og, hvis det er muligt, brugere om, at der ikke må bruges gennemborende genstande, såsom søm, skruer eller boremaskiner, i området, hvor der er installeret varmemfolier.
- Varmefolier må ikke installeres tæt på aluminiumsfolier, folier, der indeholder metaller, eller i konstruktioner med høj fugtighed.
- Et dokument med oplysninger om opvarmningssystemet skal opbevares permanent sammen med husets andre tekniske dokumenter og videregives til eventuelle nye ejere eller lejere.
- Brugeren skal vejledes af installatøren med hensyn til installationen af gulvvarmen. Dette er oplyst på en mærkat, der leveres med produktet, og skal limes på fordelingstavlen: Denne mærkat oplyser også læseren om, at det er forbudt at lave åbninger samt at dække gulvet med inventar eller hårde hvidevarer uden at sørge for et mellemrum på mindst 4 cm mellem gulvet og bundfladen. Der skal være et mellemrum på mindst 10 cm mellem det opvarmede loft og de øverste flader på inventar eller hårde hvidevarer.



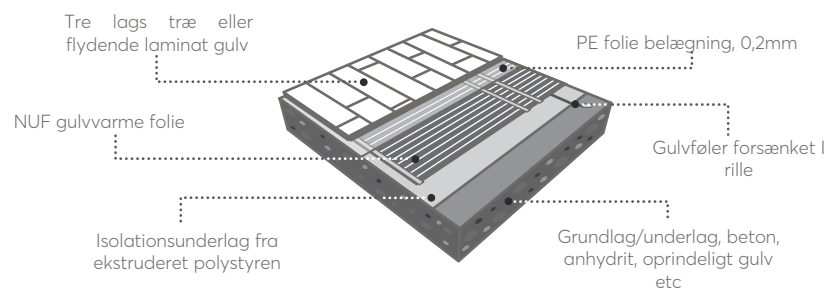
Gulvvarmefolie – Nobø NUF

1. Installationsforhold

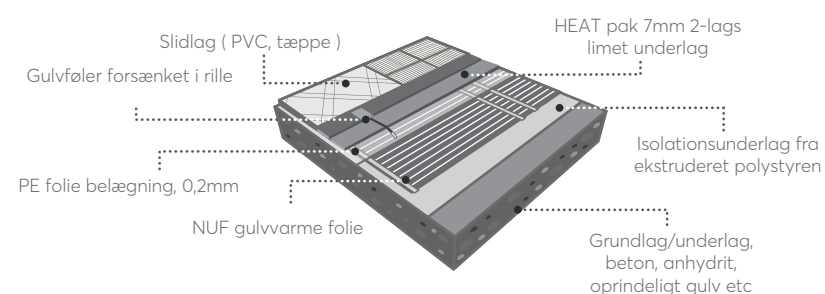
- Der skal udføres fugtspærre under gulvkonstruktionen, som vil forhindre fugt i at sive gennem varmeisoleringen under varmefolien – vi anbefaler, at det lægges i to lag, som ligger vinkelret på hinanden med overlappende sammenføjninger.
- Varmefolien må ikke lægges under permanent anbragte rumapparaturer og genstande, som forhindrer varmespredning (f.eks. inventar med sokkel osv)
- Til at beskytte mod fugt skal der lægges en dampspærre af PE-folie med en tykkelse på 0,2 mm på varmefolien, som overlapper mindst 5 cm.
- Nobø NUF må ikke installeres i rum med højere fugtighed (badeværelser, vaskerum osv.)
- Det maksimale udvidelseselement er 25 m² eller med en maksimumdiagonal på 7 m.
- Varmefolier er beregnet til limede laminat- eller trægulve, der er monteret med gulvpanel hele vejen rundt i kanten for at forhindre ukvalificeret afmontering af gulvbelægningen.

2. Valg af underlag til installation af Nobø varmefolie direkte under et svømmende gulv

Snit billede af gulv – direkte opvarmning



Varmefolie under tæppe eller PVC (Laminat)



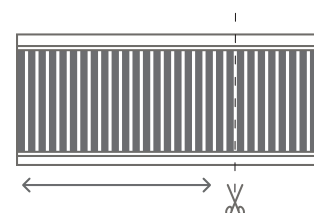
3. Kvaliteten af underlagets overflade

- Underlagets overflade skal være fladt uden fremspring, ujævnheder eller fordybninger. Det kan laves af beton, men også af andre byggematerialer med en tilstrækkelig bæreevne.
- Fugtigheden i underlagets overflade må ikke overstige 2 % (ca. 60 % relativ fugtighed).

4. Forberedelse af varmefolie, ledere, stikforbindelser

4. a) Skæring af folien

Kontrollér oplysningerne på mærkaten på kanten af båndet. Brug en saks til at klippe den længde, der kræves til projektet på det afmærkede klippested. Klip langs midten af banen.

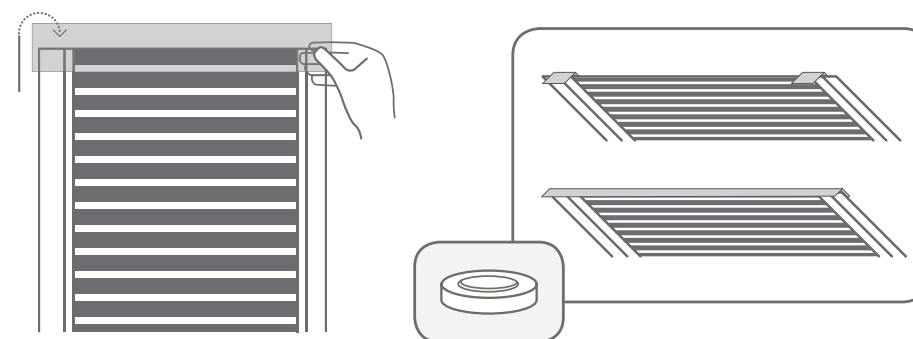


Der findes to længdevarianter:

1. variant: klippelængde 320 mm eller 22 mm
2. variant: klippelængde 10 mm.

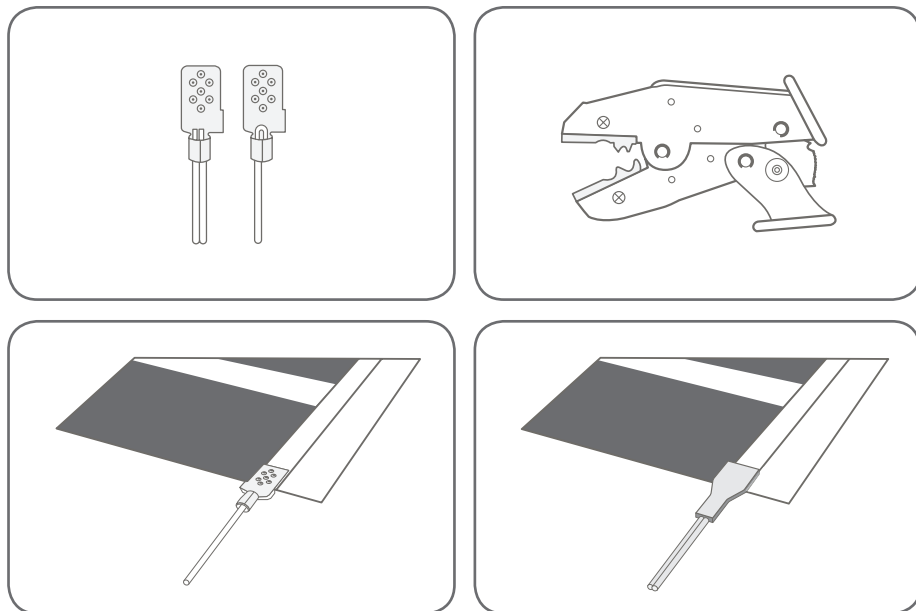
4. b) Isolering af den klippede kant

- I forbindelse med længdevariant 1 er det nok at isolere begge åbne kanter af kobbertapen med 28 mm bred tape.
- I forbindelse med længdevariant 2 skal hele den afklippede kant isoleres med 28 mm bred tape og over den med 38 mm tape.



4. c) Fastgøring af stikforbindelsers fastgøringselementer til varmemfolien

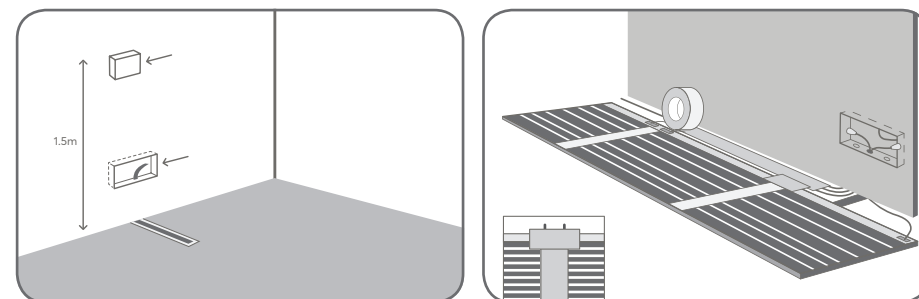
- Først trykkes forsyningskablerne ind i forbindelsesstikket, og dernæst trykkes forbindelsesstikket mod varmemfolien. Tilslutningslederens tværsnit skal være mindst 3 mm², eftersom stikforbindelserne er dimensioneret således pga. behovet for at tilslutte to ledere. Hvis der kun er tilsluttet en leder, skal lederen bøjes ind i stikforbindelsen på en sådan måde, at du opnår det påkrævede tværsnit.
- Stikforbindelsens fastgøringselement skal placeres i midten af kobber banen, og dernæst lukkes den skrå del af fastgøringselementet med et tryk med fingrene. Brug crimpingtænger til at indstille den skrå del af fastgøringselementet på sin endelige plads. Pres først stikforbindelsen fra siden af fastgøringsholderen og derefter fra den åbne side for at sikre, at fastgøringselementet er presset godt sammen. Palen på crimpingtængerne forhindrer kæberne i at åbne sig, inden det ønskede tryk er opnået.
- Udfør derefter isoleringen ved brug af vulke tape med et minimumoverlap på 11 mm fra de strømførende dele.



5. Nedlægning og tilslutning af varmemfolien

- Rengør rummet, hvor varmemfolien skal lægges, og fej mekanisk skidt og snavs væk.
- Mål gulvets overflade, og tegn ud fra målene en skitse af varmemfolierne direkte på gulvet eller på papir.
- Mål varmemfolien i henhold til skitsen, og klip de enkelte baner.
- Kontrollér ved at rulle folierne ud på gulvet, at deres mål kan lægges i henhold til forholdene beskrevet i denne vejledning samt rummålene.

- Rul varmemfolien op, og tape dem sammen, så de ikke ruller ud, og du ikke træder på dem. Markér på gulvet, hvor der skal skæres fordybninger til tilgangskabel og låg til stikforbindelser.
- Det er ikke nødvendigt at skære fordybninger til AV 1,5-varmekablerne, hvis de flugter med fodpanelet med en tykkelse på 3 mm og mere. Fordybningen skal skæres med en kniv.
- Fordybningerne til stikforbindelsernes låg skal ikke laves, hvis de bliver indlagt i en fodliste med en tykkelse på 6 mm og mere. Fordybningen skal skæres med kniv.



- Rul varmemfolien sammen, og opbevar den i rene omgivelser.
- Mejsl eller skær fordybningerne til forsyningskablerne og lågene til stikforbindelserne.
- Monter fodpanelerne.
- Rul varmemfolierne ud, og sørg for at sikre dem, så de ikke glider eller folder sammen (f.eks. ved hjælp af tape).
- Tilslut stikforbindelserne, og isoler dem (mål de tilsluttede forsyningskabler mellem folierne nøjagtigt og kun i den mest nødvendige længde).
- Dæk til med PE-folie med en minimumstykkelse på 0,2 mm. Gulvet er nu klar, så du kan lægge den sidste belægning.

6. Test af gulvvarmen

- Mål modstanden (R) i hele gruppen, og skriv den ned i garantibeviset. Kontrollér de målte værdier mod de nominelle værdier. De målte værdier skal ligge inden for modstandstolerancen -5 % +10 % eller inden for effektolerancen +5 % -10 %.
- Hvis værdierne opfylder kravene, er det nu muligt at lægge den sidste belægning. Hvis de ikke opfylder kravene, skal du kontakte producenten/leverandøren eller kontrollere alle tilslutningerne og gentage målingen.

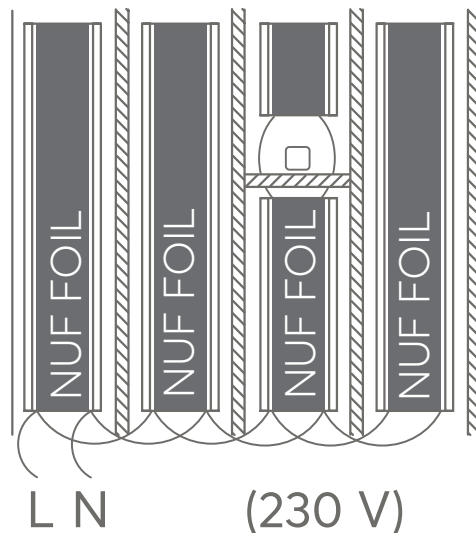
8. Opstart af gulvarme

- Den første dag indstilles gulvtemperaturen til at være den samme som rumtemperaturen (maks. 18 °C).
- I de følgende dage øges gulvtemperaturen gradvist med 2 °C om dagen op til 28 °C
- Lad gulvtemperaturen forblive 28 °C i tre dage
- Derefter reduceres gulvtemperaturen med 5 °C om dagen, indtil starttemperaturen er opnået
- Når det er gjort, er det muligt at indstille gulvtemperaturen til den påkrævede værdi og begynde at bruge gulvet til daglig.

9. Regulering

- Termostater med en gulvsensor installeret i den opvarmende del af gulvet mindst 30 cm inden for det opvarmede område skal anvendes til varmeregulering af rum, der opvarmes ved brug af varmemøbler.
- Placer en gulvsensor så tæt på gulvets overflade som mulig, men lige under varmemøbler, i en fordybning, når der installeres et laminatgulv.
- Rørets bøjningsradius mellem væggen og gulvet skal udføres på en sådan måde, at sensoren kan udskiftes efter behov! Den anbefalede minimumsbøjningsradius er 6 cm.
- Termostaten skal indstilles til tilstanden: Rum- + gulvtemperaturgrænse eller Gulv. Den maksimalt tilladte temperaturindstilling for gulvet er 27 °C.

10. Folietilslutningsdiagram



12. Garanti og reklamation

Producenten af Nobø giver en funktionalitetsgaranti på 10 år for Nobø fra den bekræftede installation i garantibeviset (installationen skal udføres højst 6 måneder efter salget), såfremt:

- Der indsendes et korrekt udfyldt garantibevis og dokumentation for salget
- Installationsproceduren i henhold til denne vejledning overholdes
- Der indsendes oplysninger om gulvfolien, tilslutninger og målingsresultater.

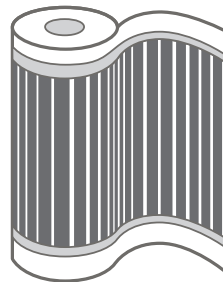
Ethvert erstatningskrav skal indsendes skriftligt til installationsfirmaet eller direkte til producenten.

Se garanti/overensstemmelseserklæring på www.glendimplex.dk

NOBO

Nordic World Class Heating Solutions

Denne brugsanvisning er tiltænkt leverandørerne, ejer og brugere af varmemåle, i tilfælde af nye ejere/brugere, skal denne overdrages til disse, sammen med et komplet udfyldt garantibevis.



Glen Dimplex Nordic
Lyskær 8B, 2730 Herlev, Danmark
Tlf: +45 22 50 42 28,
www.glendimplex.dk

NOBO

Nordic World Class Heating Solutions

Asennusohje

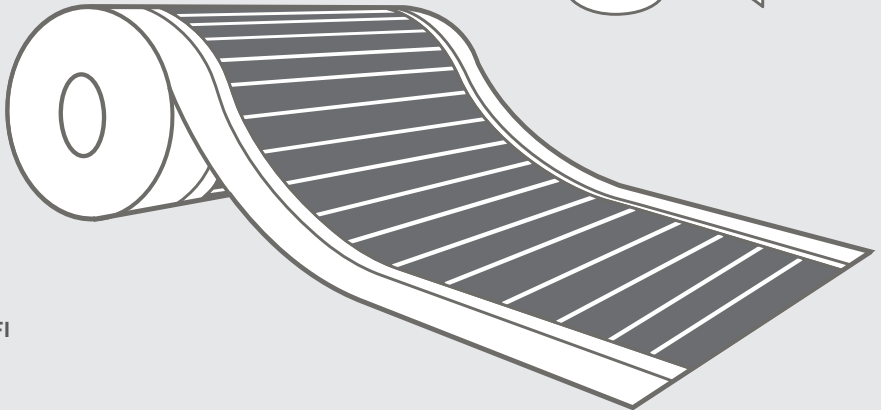
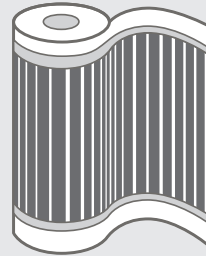
Lämmityskelmu

NUF60W/m² NUF80W/m²
40cm 60cm 100cm

Yleiset ehdot

Asennusehdot

Lämmityskelmu NUF60W/m² NUF80W/m²



FI

Malli	Maksimi pituus [m]	Kokonaisleveys [mm]	Tehollinen leveys [mm]	Teho [W/m ²]	Teho [W/m]	Vastusarvo 1m [Ω]
NUF60 40cm	52,3	400	300	60	21	2589
NUF80 40cm	36,6	400	300	80	28	1889
NUF60 60cm	55	600	570	60	33	1603
NUF80 60cm	39,2	600	570	80	44	1202
NUF60 100cm	27,5	1000	970	60	58	909
NUF80 100cm	28,5	1000	970	80	77,6	682

Esimerkki mitatun arvon vertaamisesta etusivun kaavion nimellisarvoon (kaksi viisimetristä ja kaksi nelimetristä liuskaa C520-kalvoa asennettiin, eli yhteensä 18 m):

- Mittaa lämmityskalvon (m) asennettu pituus kertomalla se taulukossa näytetyllä pituuden teholla (W/m): $P = 18 \text{ m} \times 80 \text{ W/m} = 1440 \text{ W}$;
- Laske toleranssi: alempi on $-10\% = 1296 \text{ W}$ ja ylempi $+5\% = 1512 \text{ W}$;
- Mittaa lämmityskalvon resistanssi (esim. 37Ω 18m:lle C 520 -kalvoa); verkkojännite on 230 V;
- Syötä arvot kaavioon $P = U^2/R$, missä P = teho (W), U = jännite (V) ja R on resistanssi (Ω).

Joten esim. $P = 230^2 / 37 = 1430 \text{ W}$;

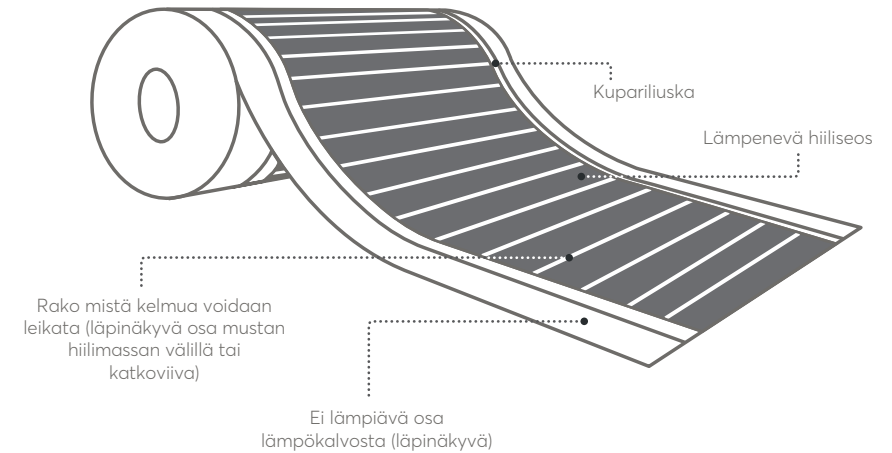
• Sähköresistanssin arvot ovat taulukossa olevan kalvoille annetun arvon toleranssin sisällä – SE ON VAATIMUSTEN MUKAINEN

Tarkastus resistanssin mukaan:

- Mittaa lämmityskalvon asennettu pituus (m). Jaa* taulukossa ilmoitettu resistanssi (Ω) mitatulla pituudella:
- $R = 661 / 18 \text{ m} = 36,7\Omega$;
- Laske toleranssi: alempi on $-5\% = 34,9 \Omega$ ja ylempi $+10\% = 40,4 \Omega$;
- Mittaa lämmityskalvon resistanssi - esim. 37Ω 18m:lle C 520 kalvoa;
- Sähköresistanssin mitattu arvo on toleranssin sisällä - TYYDYTTÄVÄ.

*kokonaisresistanssin laskee kun pituus kasvaa

Lämmityskelmu - NUF60W NUF80W



Yleiset ehdot

- Ennen pakkausten purkamista ja työn aloittamista tarkasta, ovatko ostetut osat oikein etikettien sekä kalvossa olevien tietojen mukaan, ja lue nämä ohjeet huolellisesti.
 - Lämmityskalvo on suunniteltu kuivaan tilaan, sitä ei liimata, vaan se täytyy kiinnittää estäen liikkuminen/liukuminen lämmittämättömien reunojen yli.
 - Lämmityskalvolle ei ole määritetty ylä- ja alapintoja.
 - Syöttöpiirit täytyy aina varustaa ≤ 30 mA:n vikavirtajohdonsuojakatkaisijalla nimellisvirralle. Katkaisijan on mahdollistettava kalvon sähköinen erottaminen kaikkinaikaisesti.
 - Lämmityskalvoa ei saa asentaa epätasaisille pinnoille.
 - Kalvon kylmä reuna on pitkittäisessä läpinäkyvässä osassa, yleensä siinä on painatusta ja tietoja tuotteesta. Se on rinnakkain samansuuntainen kuparijohdinväylän kanssa. Tätä reunaa voidaan kaventaa vähintään 11 mm:n levyiseksi tai se voidaan rei'ittää / lävistää naulalla 11 mm:n etäisyydellä kuparijohdinväylästä.
 - Lämmityskalvon on oltava kiinni muissa rakenneosissa (paitsi niillä kalvoilla, joiden teho on 80 W/m² ja alempi), ja se täytyy peittää kokonaan lattiialpinnoitteella.
 - Lämmityskalvo, liitännät ja syöttöjohdot täytyy suojata vaurioiden varalta asennuksen aikana (esim. putoavilta esineiltä tai terävien esineiden vaurioilta, ylikävelytlä jne). Voit kävellä lämmityskalvon päällä, jos kengissä on pehmeät pohjat ja kalvo asetetaan tasaiselle ja sileälle pinnalle.
 - Lämmityskalvoja ei saa asentaa alle 2,3 metrin korkeudelle seiniin ja kattoihin alle 45° kallistuksella pystysuunnasta.
 - Lämmityskalvoja ei saa levittää päällekkäin, vetää toistensa päälle tai koskettaa toisiinsa muilta osin, kuin kylmissä reunoissa. Ei-lämmittävät reunat voivat mennä päällekkäin. Lämmityskalvot täytyy aina suojata siirtymiseltä.
 - Lämmityskalvoja ei saa asentaa alle 3 °C:n lämpötilassa, ja niitä ei saa altistaa yli 80 °C:n lämpötilalle pitkäaikaisesti.
 - Lämmityskalvon pienin taivutussäde on 35mm ja taivuttamista tulee välttää.
 - Lämmittetyt pinnat täytyy erottaa seinistä ja muista liikkuvista osista liikuntasaumalla. Lämmityskalvo ei saa kulkea liikuntasaumojen yli. Virtajohto, joka kulkee näiden liitosten yli, täytyy asettaa niin, että erillisten liitosjohtojen vapaa liike on mahdollista ilman, että se vaurioittaa kaapelia.
 - Lämmityskalvot on tarkoitettu jännitteelle 230 V~.
 - Sarjakytkenässä virran arvo, ei saa ylittää 10 A. Tästä saadut lämmityskalvon maksimipituudet löytyvät otsikkosivun taulukosta.
 - Lämmityskalvo voidaan jakaa leikkaamalla se kohtisuoraan poikittaissuunnassa siten, että leikkaus ei yllä mustaan hiililämmitysiuskaan, joka yhdistää kupariliuskat.
-
- Avoimet leikattavat reunat täytyy aina eristää koko leikkauspituudelta, paitsi jos leikatut kalvot leikataan leikkausreunaa pitkin, jolloin kupariliuskan eristäminen riittää.
 - Jos kalvon keskellä on leikkaus/lävistys, poista rikkoutunut hiililiuska leikkaamalla n. 11 mm:n leveydeltä ja eristä leikkauksen kaikki reunat. Jos kupariliuska on rikkoutunut, kalvo täytyy jakaa kahteen erilliseen lämmitysiuskaan, leikkaa vaurioitunut kohta pois, leikkaa uudet reunat suoraan ja eristä ne. Lämmityskalvo liitetään sen jälkeen normaalisti.
 - Lämmityskalvo on valmistettu kansainvälisten standardien mukaisesti, ja se täytyy asentaa voimassa olevien vaatimusten ja standardien noudattaen.
 - Lämmityskalvoja asennettaessa EN 50559-standardin vaatimusten tulee täytyä ja ne tulee asentaa sähköasennusmääräysten mukaisesti.
 - Nobö-lämmityskalvon suojaus 0,1 mm:n polyesterikalvolla tai 0,2 mm:n polyeteleenikalvolla täyttää EN 60335-1 -standardin vaatimukset luokan II rakenteista, ja EN 60335-2-standardin vaatimukset lämmityslaitteiden asentamisesta lattiaan tai kattoon.

- Lämmityskalvon muu käyttö tai lämmityskalvon muu sijoittaminen, kuin mitä näissä ohjeissa on mainittu, voivat olla haitallisia terveydelle ja hengelle, tai voivat aiheuttaa materiaalivaurioita. Takuehdot eivät koske tällaista käyttöä.
- Liittimien yhteen puristamisen saa tehdä vain Nobön tarjoamilla pihdeillä. Vain Nobön tarjoamia eristemateriaaleja saa käyttää liittimien ja kalvon leikattujen reunojen eristämiseen.
- Lämmityskalvoja ei saa peittää pitkäaikaisesti lattiamateriaalilla tai muilla esineillä, joiden lämpöresistanssi (R) on yli 0.15 m²K/W.
- Asentajan täytyy informoida kohteen muita toimittajia, omistajia ja jos mahdollista, myös käyttäjiä, ettei läpäiseviä esineitä, esim. nauvoja, ruuveja tai poria käytetä alueilla, joille lämmityskalvoja asennetaan.
- Lämmityskalvoja ei saa asentaa alumiinikalvojen lähelle, kalvoihin, jotka sisältävät metalleja tai erittäin kosteisiin rakenteisiin.
- Lämmitysjärjestelmään liittyvät dokumentit on säilytettävä huolellisesti asiaankuuluvassa paikassa, esim. talokansiossa muiden sähköasennuksiin liittyvien dokumenttien kanssa. Niistä tulee informoida uutta omistajaa tai vuokralaista oikean ja määräystenmukaisen käytön varmistamiseksi.
- Asentajan ohjeistaa käyttäjää lattia- tai kattolämmityksen käytössä. Tämä on ilmoitettu tuotteen mukana tulevalla etiketillä ja se tulee liimata sähkönjakokeskukseen: etiketissä kerrotaan, että reikien tekeminen on kielletty, kuten myös lattian peittäminen kalusteilla ilman, että lattian ja pohjapinnan väliin jätetään vähintään 4 cm:n väli. Lämmitettävän katon ja kalusteen yläpinnan välillä täytyy olla vähintään 10 cm:n väli.



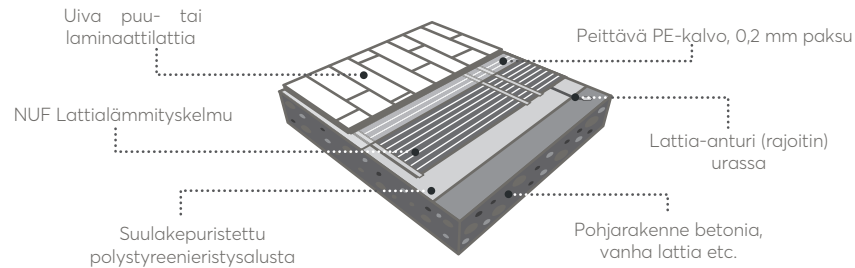
Lattialämmityskalvo – Nobö NUF

1. Asennuksen edellytykset

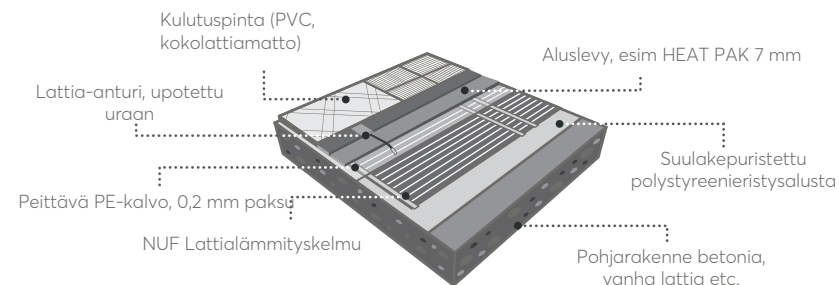
- Vesieristys täytyy suorittaa lattian rakenteen alla, siten että se estää veden nousun lämpöeristeen läpi lämmityskalvon alle - suosittelemme, että vesieristys tehdään kahdessa ristikkäisessä kerroksessa, ja liitokset menevät päällekkäin.
- Lämmityskalvoa ei saa levittää pysyvästi sijoitettujen laitteiden ja esineiden alle, jotka estävät lämmön siirtymisen (esim. kaluste sokkelilla jne)
- Suojana kosteudelta käytetään kosteudeneristystä PE-kalvolla, jonka paksuus on 0,2 mm, ja joka täytyy levittää lämmityskalvon päälle siten, että ne ovat päällekkäin vähintään 5 cm.
- Nobö NUF-kalvoa ei saa asentaa kosteisiin tiloihin (kylpyhuoneet, pesuhuoneet jne.)
- Suurin yhtenäinen ala on 25 m² tai lävistäjä enintään 7 m.
- Lämmityskalvot on tarkoitettu laminaatille ja puulattioille, jotka varustetaan listoilla niiden reunoilta estämään lattiamateriaalin tarkoituksetonta liikkumista.

2. Nobö NUF - lämmityskalvo asennetaan suoraan kelluvan lattian alle

Poikkileikkaus lattiasta - suora sähkölämmitys



Lattialämmityskelmu muovimaton tai kokolattiamaton alla



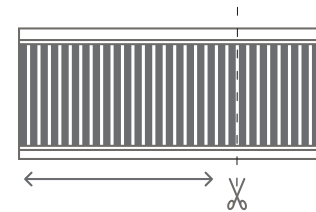
3. Asennusalustan laatu

- Asennusalustan pinnan tulee olla tasainen ilman ulkonemia tai koloja. Se voidaan tehdä betonista, mutta myös muista riittävän kantokyvyn omaavista rakennusmateriaaleista.
- Alustan kosteus ei saa ylittää 2 % (n. 60 % suhteellisesta kosteudesta).

4. Lämmityskalvon, johtimien ja liittimien valmistelu

4. a) Kalvon leikkaaminen

- Tarkasta etiketin tiedot kalvon reunassa. Leikkaa saksilla oikeaan pituuteen, leikaten katkaisukohtaan keskeltä.

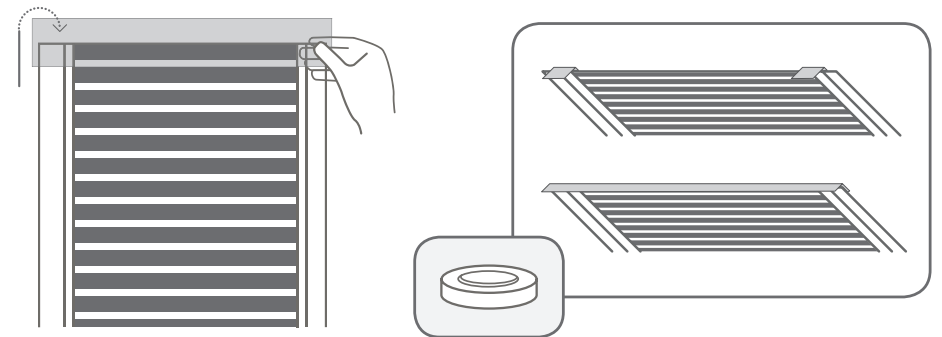


Leikkausvaihtoehtoja on kaksi:

- versio 1 leikkauspituus 320 mm tai 22 mm
- versio 2: leikkauspituus 10 mm

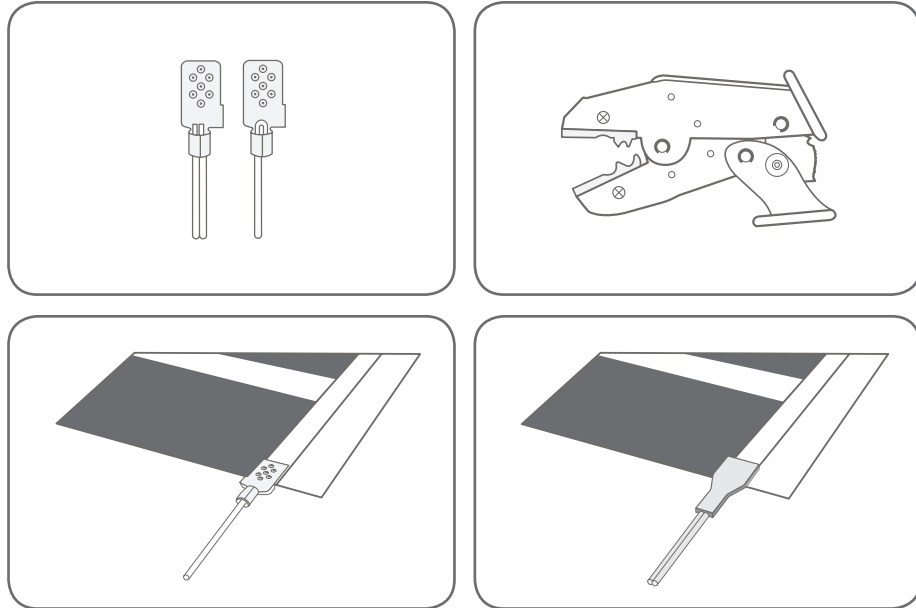
4. b) Leikatun reunan eristäminen

- Leikkauspituus versiossa 1 eristetään kuparinauhan molemmat avoimet reunat 28 mm leveällä teipillä.
- Leikkauspituus versiossa 2 eristetään koko leikattu reuna 28 mm:n teipillä ja toistamiseen sen päälle vielä 38mm:n teipillä.



4. c) Johtimien kiinnittäminen lämmityskalvoon

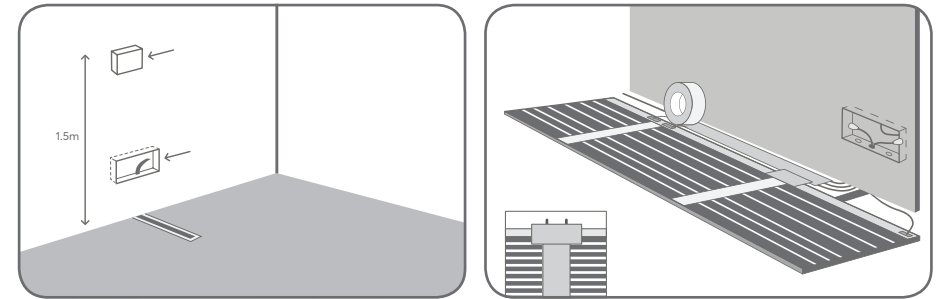
- Ensin liitosjohtimet painetaan liittimeen ja sen jälkeen liitin painetaan lämmityskalvoon. Liittimen poikkipinnan täytyy olla vähintään 3 mm², koska liittimet mitoitetaan kahdelle liitosjohdolle. Jos liitetään vain yksi johdin, täytyy kuorittu johdin taittaa kaksinkertoin liittimeen niin, että vaadittu poikkipinta saavutetaan.
- Liitin tulee asettaa kupariliuskan keskelle. Purista kiinnikkeen vino osa sormilla painamalla. Purista liitintä pihdeillä molemmilta puolilta 45° kulmassa perforoidun alueen yli. Puristuspihtien säppi estää leukojen aukeamisen, ennen kuin toivottu puristus paine saavutetaan.
- Tee eristys sen jälkeen vulkanoituvalla teipillä, joka ulottuu vähintään 11 mm jännitteisten osien ulkopuolelle.



5. Lämmityskalvon levittäminen ja liittäminen

- Siivoa tila, johon kalvo levitetään ja lakaise pois kaikki mekaaninen lika ja roskat.
- Mittaa lattian pinta-ala ja mittauksiin perustuen piirrä lämmityskalvojen asettelu suoraan lattiaan ja/tai paperille.
- Mittaa lämmityskalvo piirroksen mukaisesti ja leikkaa se yksittäisiin liuskoihin.
- Avaa kalvot lattialle ja tarkasta, että ne voidaan levittää näiden ohjeiden sekä huoneen mittojen mukaisesti.

- Rullaa kalvoja kiinni ja teippaa ne, etteivät ne tarpeettomasti pääse avautumaan. Piirrä lattiaan urien paikat syöttöjohtimill ja liittimien suojuille.
- Uria ei tarvitse leikata 1.5 mm² johtimille, jos ne ovat vapaassa tilassa jalkalistan alla ja jonka korkeus on yli 3 mm. Uurre täytyy leikata veitsellä.
- Liittimien suojuille ei tarvitse tehdä uria, jos ne upotetaan jalkalistan alle ja käytettäessä eristelevyä, joka on paksuudeltaan 6 mm tai enemmän. Uurre leikataan veitsellä.



- Rullaa lämmityskalvo kokoon ja säilytä se puhtaassa paikassa.
- Lohkaise tai leikkaa urat syöttökaapeleille ja liittimien suojuille.
- Levitä tasoitus- /eristelevyt.
- Avaa lämmityskalvot ja teippaa ne yhteen estääksesi niitä liukumasta ja taittumasta.
- Liitä liittimet ja eristä ne (mittaa yhdistetyt johtimet kalvojen välillä vain sille pituudelle, joka tarvitaan).
- Peitä PE-kalvolla, joka on paksuudeltaan vähintään 0,2 mm. Lattia on valmis lopullisen pintamateriaalin levittämisen testauksen jälkeen.

6. Lattialämmityksen testaus

- Mittaa koko sarjan resistanssi (R) ja kirjoita se takuutodistukseen. Tarkasta mitatut arvot nimellisarvoilla. Mitattujen arvojen täytyy olla resistanssitoleranssin $\pm 10\%$ sisällä tai tehon toleranssin $\pm 10\%$ sisällä.
- Jos arvot ovat vaatimusten mukaiset, lopullinen materiaali voidaan levittää. Jos ne eivät ole, ota yhteyttä valmistajaan/toimittajaan tai tarkasta kaikki liitännät ja toista mittaus.

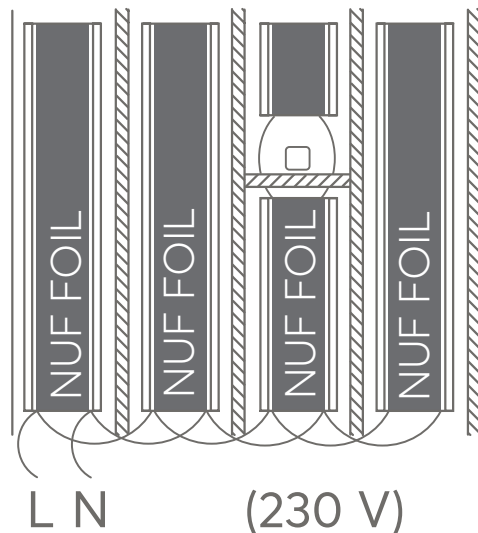
8. Lattian käyttöönotto

- Aseta lämpötila ensimmäisenä päivänä samaksi kuin huoneen lämpötila (max. 18 °C),
- Seuraavina päivinä lisää lämpötilaa 2 °C:n osissa päivässä 28 °C:een asti.
- Pidä lattian lämpötilana 28° C kolmen päivän ajan.
- Laske sitten lattian lämpötilaa 5 °C päivässä, kunnes alkulämpötila saavutetaan,
- Sen jälkeen lattian lämpötila voidaan asettaa vaadittuun arvoon ja ottaa lattia arkikäyttöön.

9. Sääto

- Lämmityskalvoja käytettäessä tilojen lämpötilan säätöön täytyy käyttää termostaatteja, joilla on lattia-anturi asennettuna lattian lämmitysosassa, vähintään 30 cm lämmittävän alueen sisällä.
- Aseta termostaatin lattia-anturi mahdollisimman lähelle lattian pintaa, mutta kuitenkin heti lämmityskalvon alle uraan, ennen kuin laminoitu lattia asennetaan.
- Putken taitoksen säde seinän ja lattian välillä täytyy tehdä siten, että mittapää voidaan vaihtaa tarvittaessa! Suositeltu minimisäde on 6 cm.
- Termostaatti täytyy asettaa tilaan: Huone + lattia tai lattia. Suurin sallittu lattian lämpötila-asetus on 27°C.

Lattialämmityskalvojen kytkentäohje



12. Takuu, reklamaatiot

Nobö tarjoaa 10 vuoden takuun kalvon toiminnalle takuutodistuksessa vahvistetusta asennuksesta (asennus täytyy tehdä enintään 6 kk myynnistä), mikäli:

- Tarkasti täytetty takuu- ja ostotodistus toimitetaan;
- Asennusprosessissa on menetelty näiden ohjeiden mukaisesti;
- Tiedot kalvosta lattiassa, liitännöistä ja mittaustulokset toimitetaan.

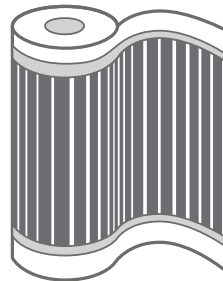
Reklamaatiot täytyy toimittaa kirjallisina asennusfirmaan tai suoraan valmistajalle.

Tiedot reklamaatiota varten löydät myös verkkosivulla: <http://www.glendimplex.fi>

NOBO

Nordic World Class Heating Solutions

Tämä asennusohje on tarkoitettu lämmitysmaton toimittajille, omistajille ja käyttäjille. Omistajan ja käyttäjän vaihtuessa se on annettava tälle, yhdessä täysin täytetyn Takuutodistuksen kanssa.



Glen Dimplex Nordic Oy Ab
Mestarintie 30, FIN-06150 Porvoo
Puh.: 020 7768 300
S-posti: email@glendimplex.fi