



Nordic World Class Heating Solutions

# INSTALLATION GUIDE

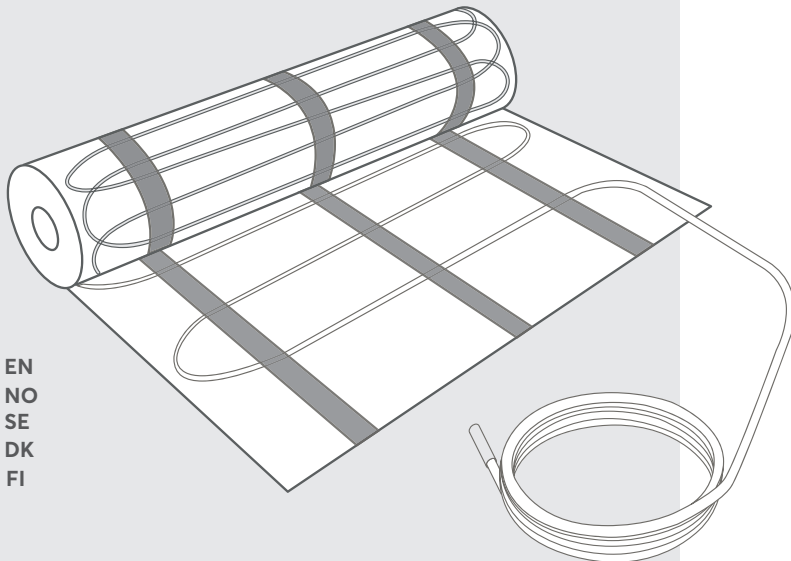
## Nobø Heatingmat NUM100W/m<sup>2</sup> NUM160W/m<sup>2</sup>

GENERAL CONDITIONS AND TERMS

DESCRIPTION AND CONNECTION

DIMENSIONING

WARRANTY AND CLAIMS



EN  
NO  
SE  
DK  
FI

## GENERAL CONDITIONS

- Heating mats may be operated only as a part of building structures. Fixing the heating cable to the fiberglass fabric during manufacture by gluing is regarded to be only a temporary bond. The heating mat is intended for installation in wet construction processes (concrete, adhesive and "self-leveling" sealing materials based on cement fulfilling thermal flexibility requirements – during application it is necessary to follow the manufacturer's instructions). When in use, the heating mat must be in full contact with these materials and free from air bubbles.
- The mat may be adjusted only as shown in pictures 1 – 3, and in no case may it be shortened. You may shorten only the cold connection ends, as required. The connection joining the cold end and the heating cable may not be installed in a bend. The heating cables of the heating mats may neither touch nor cross one another. The minimum distance between the cables is 30 mm. If the heating or power supply cables are damaged, they must be replaced or repaired by the manufacturer, its service technician or a similarly qualified person in order to prevent a dangerous situation from arising. Do not use nails or screws to install the cables!
- When installing the cables, the diameter of a bend in the cable must be at least eight times greater than the cable's diameter.
- The heating mat must be supplied with electricity by means of a residual current circuit breaker with rated actuating current of  $I_{\Delta n} \leq 30 \text{mA}$ . We recommend that each heating unit/circuit be equipped with a separate residual current device.
- For safety reasons, heating mats may not be installed in walls.
- The heating mats may be stored at temperatures from +10°C to +35°C and installed at temperatures from +5°C to +30°C. When in operation, they may not be exposed to temperatures exceeding 70°C.
- During removal from packaging, manipulation and installation of the mat take special care to avoid mechanical damage to the mat – check the heating cable visually before pouring the building material.
- The heating mat may not be installed on irregular surfaces.
- The heating mat is primarily intended for installation with the supporting material facing the base. It can, however, be installed the other way round.
- In case that mats are laid in an area larger than 20m<sup>2</sup> or with a diagonal greater than 7m, it is necessary to account for expansion of the foundation materials. The heating cable must not cross the expansion joints. The non-heating connecting cables located at the expansion joints must be laid loosely in a protective tube. All installed elements – cold connection end, thermostat's probe – where they pass from the wall to the floor must be placed in installation tubes and must allow for movement of the floor and wall relative to one another.
- To allow for expansion around the periphery of the room between the baseboards and the floor tiles, use an expansion profile or fill the spaces with silicone sealing cement. The distance between the heating mat and the wall must not be less than 50 mm.
- The mat must not be placed either under such furnishings as bathtubs, shower baths, toilets and the like or under furniture that does not allow air to circulate. The maximum thermal resistance between the heating part and the room may be  $R=0.18 \text{ m}^2\text{K/W}$ .
- The installation must allow for disconnecting the mat or mats at both poles. The minimum distance of disconnected contacts must be 3,5mm.
- The label on the cold end of the heating mat shows the serial number and production date. The label on the mat's packaging shows type, dimensions and area of the mat, total output, output per 1m<sup>2</sup>, as well as the mat's supply voltage and electrical resistance.
- Before and after laying the mats, it is necessary to measure the resistance of the heating circuit. The measured values should be equal. Record the measured values in the certificate of warranty.
- Before and after laying the cables, it is necessary to measure the insulation resistance between the heating conductor and the protective braiding. This measured value may not be less than 0.5MΩ. Record the measured values in the certificate of warranty.
- Before opening the package with the heating mat, it is necessary to check whether the data on the label is in accordance with your requested product.
- In case of any discrepancies, you should report these immediately to the manufacturer or supplier and discontinue the work completely.
- You must draw the scheme of the heating mat layout in the certificate of warranty, indicating the exact distance of the connections of the supply cable and heating part from the walls of the building. Record the serial number and production number of the heating mat that are stated on the label on the mat's cold end, then insert/stick this label into the connection box.
- The supplier must inform other construction suppliers about the heating unit installed in the floor and of the related risks.
- A sheet of paper with information about the heating system must be permanently kept in the switch box of the heating system and passed on to any new owner or tenant.
- When installing the mats, the CSN 33-2000-7-753/HD 3844-7-753; EN 50559 standard requirements must be met.
- The product is produced according to the EN 60335-2-96/IEC 60335-2-96 standard and must be installed in accordance with the national regulations for electrical installation.
- The heating mat can be installed in the bathroom even under zone 0 under the condition that the connector and the end of the heating cable are installed outside this zone.
- If part of a heating mat extends under zone 0, the mat must be connected via a residual current device with a trip current of 10 mA.
- An insufficient thermal insulation layer below the heating system may cause significant thermal loss (warmth moving downwards). Recommended thermal insulation is 70–80mm of extruded polystyrene or similar thermal insulation materials. In case of reconstruction, where there is not space to install the thermal insulation to a sufficient depth on the existing tiles, we recommend installing F-boards in a depth of 6mm or 10mm to accelerate the warming of the surface and to reduce the thermal loss. This material is installed into the adhesive sealing cement that was shaped by a notched spreader and the heating mat is placed directly onto its surface. The F-boards do not need to be penetrated.
- This appliance can be used by children from the age of 8 and older, and persons with lower physical, sensory or mental abilities or a lack of experience or knowledge providing they are under supervision or have been trained in the use of the appliance in a safe manner and understand the possible danger. Children may not play with the appliance.
- Cleaning and maintenance by the user must not be carried out by children without supervision.

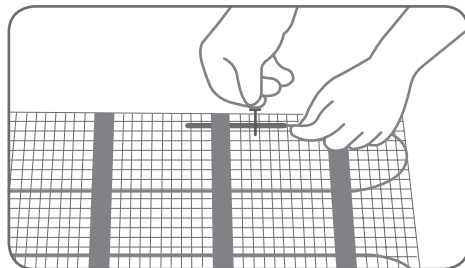
- The user must be instructed by the supplier regarding the installation of floor heating. This fact is stated on a label which comes with the product and must be glued into the switchboard: this label also informs readers that the making of openings is prohibited, as is covering the floor with furnishings or fittings without leaving at least a 4 cm gap between the floor and the bottom surface.



## INSTALLATION

### 1. Description and connection

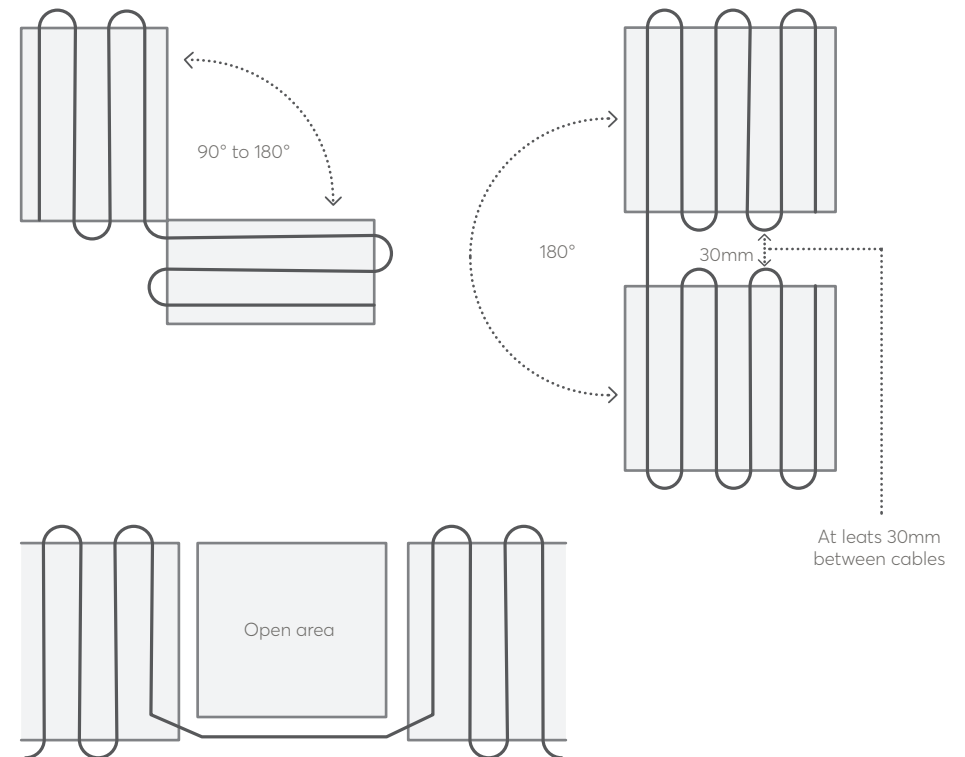
- The heating mat consists of the heating cable attached to a supporting fibreglass fabric.
- The heating cables should be connected to a 230 V, 50 Hz electrical network. Degree of protection: IP67.
- NUM mats have protective braiding. The cable's protective braiding meets the standards required of metal grid or metal shield and provides increased protection in spaces where that is required (bathroom, laundry, etc.) The protective braiding is to be connected to the PE conductor or to a protective grounding connection.
- NUM mats have bottom-edge tapes that are adhesive on both sides. After removing the covering paper from these tapes, the mat can be attached to the base.
- Fasten the connections and the head of the heating cable to the fabric by means of the attached tightening strip.



## 2. Using mats for moderately accumulating and direct floor heating

### a). Dimensioning

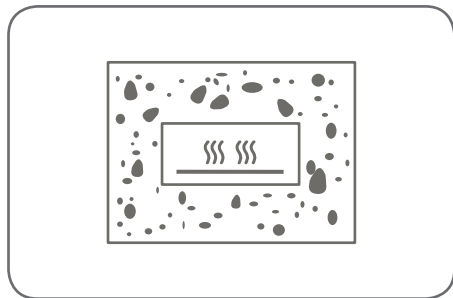
- If the floor heating is intended to be used to warm the floor surface for short intervals, we recommend that the heating mat be installed close to the floor's surface.
- If the floor heating is to be used to heat a room, it is necessary to know the thermal loss value for the building in order to select the most suitable heating system. The installed output should correspond to a multiple of 1.1 to 1.3 times the calculated thermal loss for the building. If it is impossible to install the calculated output into the entire floor area, an additional heating device must be used (for example, direct heating convector).
- For short-term heating and for bathrooms, we recommend using the NUM160W/m<sup>2</sup>. For rooms occupied for long time periods, we recommend using the NUM100W/m<sup>2</sup>.



## Installation into concrete

### b). Installation- moderately accumulating system (self-levelling materials)

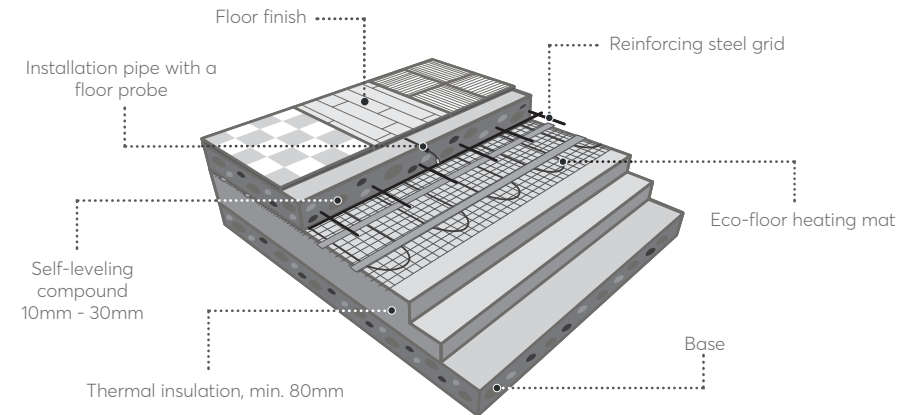
- First read Clause 1 in the General Terms and Conditions.
- The concrete mixture must be sufficiently compact so that the layer contains no air bubbles, cavities and the like and ensures full contact with the heating cable. Compacting must be done carefully, by hand, to prevent damaging the cable. In no case may immersion vibrators be used.
- The concrete mixture must contain so-called plasticizers (for example, MAPEI- DYNAMONSR or PLANICRETE).
- When concreting, it is necessary to bear in mind that in case of a break in work longer than 60 minutes the concreted areas do not join fully. Therefore, in case of a longer break, it is necessary to create an adhesive connecting bridge (e.g., by penetrating or in another manner).
- The areas where the heating mat is to be placed must be insulated thermally using polystyrene (expanded polystyrene of at least 25kg/m<sup>3</sup> or, even better, extruded polystyrene with a long-term thermal resistance of 75°C) or mineral floor board 70–80mm thick. In case of a moderately accumulating system, the heating mat may be placed directly on the thermal insulation (NUM100W/m<sup>2</sup> – expanded polystyrene, NUM160W/m<sup>2</sup> –extruded polystyrene).
- When installing the reinforcing steel, you must pay close attention to avoid damaging the cable's insulation.



### Procedure

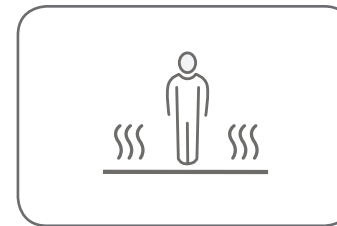
- Clean the concrete area, remove any sharp objects.
- Unroll the heating mat according to the area to be heated.
- Remove the protective layer from the self-adhesive tapes and attach the mat to the base.
- In humid spaces, connect the protective braiding of the cable to the protective grounding connection for the room.
- The connector joining the cold connection end and the heating circuit must not be installed in a bend.
- Measure the resistance of the heating circuit and the insulation resistance or the leaking current and record the measured values in the certificate of warranty.
- Cover the mat with a concrete layer. After concreting is finished, measure the resistance values again and record them in the certificate of warranty.

- Wait at least 28 days after installation before putting the mat into operation, so that the concrete will be set fully.
- Materials used in finishing the floor surface must be approved by their respective manufacturers for use on floors under thermal stress.



### c). Installation- direct heating system

- First read Clause 1 in the General Terms and Conditions.
- Detailed descriptions of use for the individual materials can be found in the installation manuals for the recommended materials.

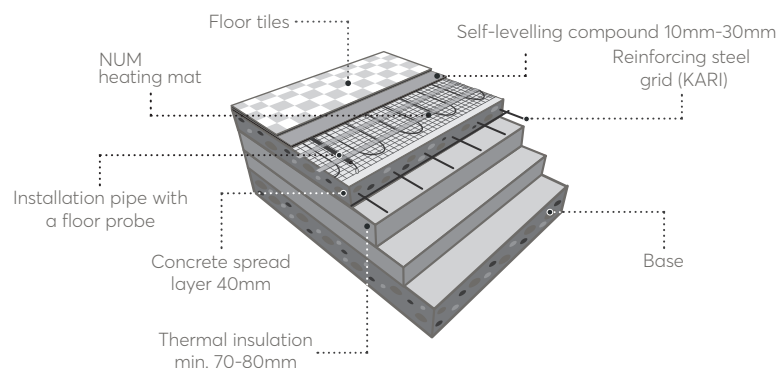


### Procedure

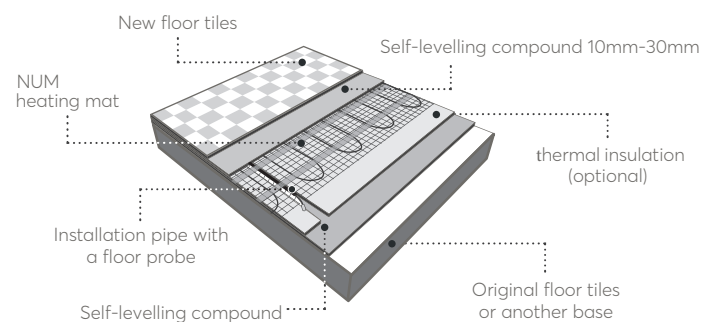
- Unroll the heating mat and adjust it according to the area to be heated. Mark the place for the connection and ending of the heating mat on the floor. Roll the mat up again.
- Create "pockets" in the base material where you will place the connections for the heating and non-heating components.
- Clean the concrete area, remove any sharp objects and coat it using a suitable penetrating solution.
- Unroll the heating mat according to the area to be heated.

- Remove the protective covering from the self-adhesive tapes and attach the mat to the base.
- Measure the resistance of the heating circuit and the insulation resistance and record the measured values in the certificate of warranty.
- Use flexible adhesive sealing cement and a flat spreader to smooth the floor surface (be careful not to damage the cable with the sharp edge of the spreader).
- Before laying the floor tiles, measure the heating circuit values again and record both values in the certificate of warranty.
- Lay the floor tiles onto the surface.
- When putting the heating mat into operation, the adhesive sealing cement must be fully hardened (see instruction for use and recommendation from material's manufacturer).

#### Direct heating system- new construction



#### Direct heating system- reconstruction



#### d). Regulations

- Thermostats with a floor probe installed in the heating part of the floor, with at least 30 cm within the heated area, must be used for the thermal regulation of rooms heated using heating circuits/mats.
- Place the floor probe of the thermostat as close to the surface of the floor as possible. The probe is placed into a conduit whose end blocked to prevent ingress of building materials.

- In the case of direct-heating applications, the conduit is placed between the loops of the heating cable, in the centre of a loop. The conduit mustn't touch or cross the heating cable!
- The radius of the bend of the conduit between the wall and the floor must be executed in such a way that the probe can be exchanged if needed! The recommended minimum bend radius is 6 cm.
- The thermostat must be set to the mode: Room + floor temperature limit or Floor.
- The maximum allowed floor temperature setting (if the datasheet for the covering used doesn't state a lower value):

27°C - rooms which are used for longer periods  
35°C - rooms used for shorter periods, with floor tiling

### 3. Accelerating the warming of heating floors

#### a). For heating mat laid in a concrete layer

- Wait at least 4–6 weeks after installation before putting the mat into operation, so that the concrete will be set fully.
- On the first day, set the temperature of the floor to be the same as the temperature in the room (maximum 18°C).
- In the following days, increase the temperature in increments of 2°C per day up to 28°C.
- Maintain the temperature of 28°C for three days.
- Then, decrease the temperature of the floor by 5°C per day until you reach the initial temperature.
- Afterwards, you can set the desired temperature and put the floor into normal operation.

#### b). For heating mat laid into self-leveling material and into adhesive sealing cement

- We recommend putting the mat into operation after 5 days from laying the final layer of the floor (floor covering).

**Note:** The values mentioned above are for information only, it is necessary to follow the instructions provided by the manufacturer of the respective construction material.

### 4. Warranty and claims

NUM, supplier of the cable circuits, provides a warranty period of 10 years for the product's functionality, beginning from the date of its installation that is confirmed in the certificate of warranty (installation must be made at latest within 6 months from the date of purchase), provided that:

- a certificate of warranty and proof of purchase are submitted.
- the procedure described in this user guide has been followed.
- data on laying and connecting the cable in the floor and the resulting measured values of the insulation resistance of the heating cable are provided.
- the procedure for applying the sealing cement specified by its producer has been followed.

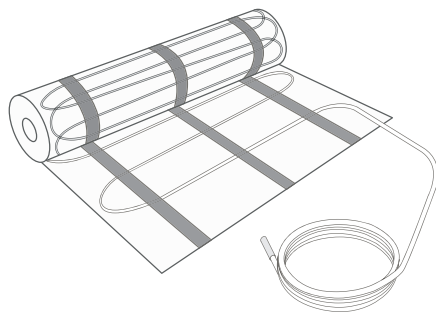
Claims may be made in writing at the company that performed the installation, or directly to the manufacturer.

The claims procedure also is available at the website: [www.glendimplex.no](http://www.glendimplex.no)

# NOBO

Nordic World Class Heating Solutions

This instruction manual is intended for the suppliers, owners and users of heating mats and in the case of a change of owner/user, it has to be handed over to the successor, together with a duly completed Certificate of Warranty.



---

Glen Dimplex Nordic AS  
Box 16 N-7105 Stjørdal Norway  
Phone: +4774829100  
email: [email@glendimplex.no](mailto:email@glendimplex.no)  
[www.glendimplex.no](http://www.glendimplex.no)



Nordic World Class Heating Solutions

## INSTALLASJONSVEILEDNING

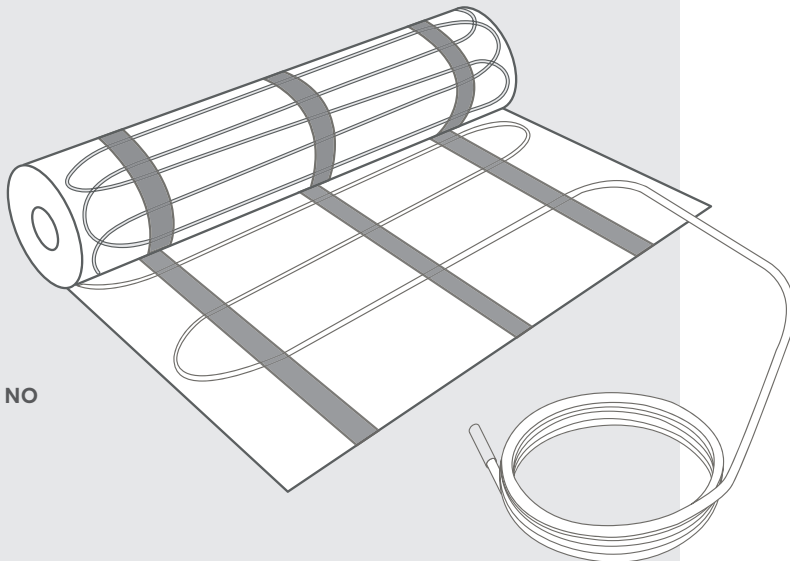
### Nobø Varmematter NUM100W/m<sup>2</sup> NUM160W/m<sup>2</sup>

GENERELLE BETINGELSER

BESKRIVELSE OG TILKOBLING

DIMENSJONERING

GARANTI OG KRAV



## GENERELLE BETINGELSER

- Varmematter skal bare brukes som del av bygningsstrukturer. Å feste varmematten til glassfiberduken med lim under fremstillinger er å anse som et midlertidig feste. Varmematten er ment for installasjon i våte konstruksjoner (betong, selvklebende og selvregulerende fugemasser basert på sement som oppfyller kravene til termisk fleksibilitet – du må følge produsentens instruksjoner ved påføring. Når den er i bruk må varmematten være fullstendig i kontakt med disse materialene og uten luftbobler.
- Matten kan bare tilpasses som vist på bildene 1 - 3 og kan ikke forkortes. Du kan bare forkorte de kalde tilkoblingsendene, ved behov. Tilkoblingen som forbinder den kalde enden og varmekabelen kan ikke installeres med bøy. Varmekablene til varmemattene kan verken berøre eller krysse hverandre. Den minste distansen mellom kablene er 30 mm. Dersom varme- eller strømforsyningskablene blir skadd, må de skiftes ut eller repareres av leverandør eller annet kvalifisert fagpersonell. Ikke bruk spiker eller skruer for å installere kablene!
- Når du installerer kablene, må bøyingsdiameteren i kabelen være minst åtte ganger større enn kabelens diameter, minimum 24 mm.
- Varmematten må tilkobles jordfeilbryter med en nominell innkoblingsstrøm på  $I_{\Delta n} \leq 30 \text{ mA}$ . Hver enkelt varmeenhet/-krets må utstyres med en egen jordfeilbryter.
- Av sikkerhetsgrunner kan varmematter ikke installeres i vegger.
- Varmemattene kan lagres i temperaturer på  $+10^\circ \text{ C}$  til  $+35^\circ \text{ C}$  og installeres i temperaturer på  $\pm 5^\circ \text{ C}$  til  $+30^\circ \text{ C}$ . Når varmemattene er i bruk, skal de ikke utsettes for høyere temperaturer enn  $70^\circ \text{ C}$ .
- Vær særlig oppmerksom på å unngå skade på varmematten når du fjerner den fra emballasjen, håndterer og installerer den. Kontroller varmematten visuelt før den legges i gulvet.
- Varmematten må installeres på en jevn overflate.
- Varmematten er primært ment for å installeres med nettingflate vendt ned mot fundamentet.
- I tilfeller hvor mattene legges i et område større enn 20 m<sup>2</sup> eller med en diagonal større enn 7 m, må du ta hensyn til ekspansjonen til fundamentmaterialene. Varmekabelen må ikke gå over ekspansjonsfugene. De ikke-varmende tilkoblingskablene ved ekspansjonsfugene må legges løst i et beskyttelsesrør. Alle installerte elementer – kalde tilkoblingsender og termostاتفøler – må legges i beskyttelsesrør der de går fra veggen til gulvet og må tillate at gulv og vegg beveger seg i forhold til hverandre.
- For å tillate ekspansjon i rommets omkrets mellom fotlisten og gulvflisene må du bruke en ekspansjonsprofil eller fylle tomrommene med silikonforseglingssement. Avstanden mellom varmematten og veggen må være minst 50 mm.
- Matten må ikke installeres under faste installasjoner som badekar, dusjbad, toaletter o.l. eller under møbler som ikke tillater at luften sirkulerer. Den maksimale termiske resistansen mellom varmedelen og rommet kan være  $R=0,18 \text{ m}^2\text{K/W}$ .
- Installasjonen må ha forankoblet topolet brudd. Den minste avstanden mellom de frakoblede kontaktene må være 3,5 mm.

- Etiketten på varmemattens kalde ende viser serienummer og produksjonsdato. Etiketten på mattens emballasje viser mattens type, dimensjoner og areal, samlet effekt, effekt pr. m<sup>2</sup>, samt mattens forsyningsspenning og elektriske resistans.
- Før og etter at du legger mattene, må du måle resistansen til varmekretsen. De målte verdiene må være like. Registrer de målte verdiene i garantibeviset.
- Før og etter at du legger kablene, må du måle isolasjonsresistansen mellom varmelederen og kabelskjermen. Denne målte verdien kan ikke være mindre enn 0,5 M $\Omega$ . Registrer de målte verdiene i garantibeviset.
- Før du åpner pakken med varmematten må du kontrollere om dataene på etiketten stemmer overens med produktet du skal installere.
- I tilfelle avvik må du straks melde dette til produsenten eller leverandøren og avbryte arbeidet fullstendig.
- I garantibeviset må du tegne opp et skjema over plasseringen av varmemattene som indikerer den eksakte avstanden mellom veggene i bygget og tilkoblingene til tilførselskabelen og varmedelen. Registrer varmemattens serienummer og produksjonsnummer som står på etiketten på mattens kalde ende, denne oppbevares i tilknytning til varmeanlegget.
- Installatøren må informere andre konstruksjonsleverandører om varmeenheten installert i gulvet og om forbehold som må tas.
- Et ark med informasjon om varmeanlegget må oppbevares permanent i tilknytning til varmeanlegget, og gis videre til nye eiere eller leietakere.
- Når du installerer mattene må du overholde nasjonale standarder.
- Dette produktet er produsert i henhold til standarden EN 60335-2-96/IEC 60335-2-96 og må installeres i henhold til nasjonale retningslinjer for elektrisk installasjon.
- Varmematten kan også installeres på badet under sone 0, så lenge kontakten og enden til varmekabelen er installert utenfor denne sonen.
- Dersom en del av varmematten strekker seg under sone 0, må matten kobles via en jordfeilbryter med en utkoblingsstrøm på 10 mA.
- Et utilstrekkelig varmeisolerende lag under varmesystemet kan forårsake et betydelig varmetap. Anbefalt varmeisolasjon er 70-80 mm ekstrudert polystyren eller lignende varmeisolerende materialer. I tilfelle rekonstruksjon hvor er det ikke er plass til å installere varmeisolasjonen tilstrekkelig dypt på de eksisterende flisene, anbefaler vi å installere isolasjonsplate i en dybde på 6 mm eller 10 mm for å fremskynde oppvarmingen av overflaten og redusere varmetapet. Dette materialet installeres i den selvklebende forseglingssementen formet med tannsparkel og varmematten plasseres rett på overflaten.
- Installasjonen kan brukes av barn på 8 år og eldre samt personer med reduserte fysiske, sensoriske eller mentale egenskaper eller manglende erfaring og kunnskap dersom de er under tilsyn eller har fått opplæring i sikker bruk av installasjonen og er innforstått med farene denne bruken representerer. Barn skal ikke leke med apparatet. Rengjøring og vedlikehold må ikke utføres av barn uten tilsyn.



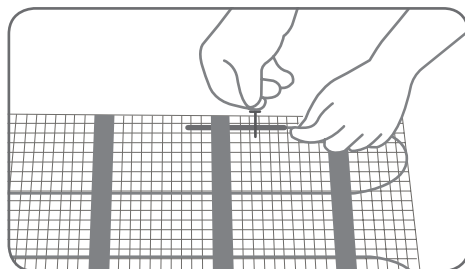
- Installatøren må informere brukeren om korrekt bruk av gulvvarmen. Dette er oppgitt på en etikett som følger med produktet og som må oppbevares i tilknytning til varmeanlegget. Denne etiketten informerer også om at det er forbudt å lage gjennomføringer i varmeinstallasjon. Det er også forbudt å dekke gulvet med innredning eller installasjoner uten å etterlate en avstand på minst 4 cm mellom gulvet og bunnflaten.



## INSTALLASJON

### 1. Beskrivelse og tilkobling

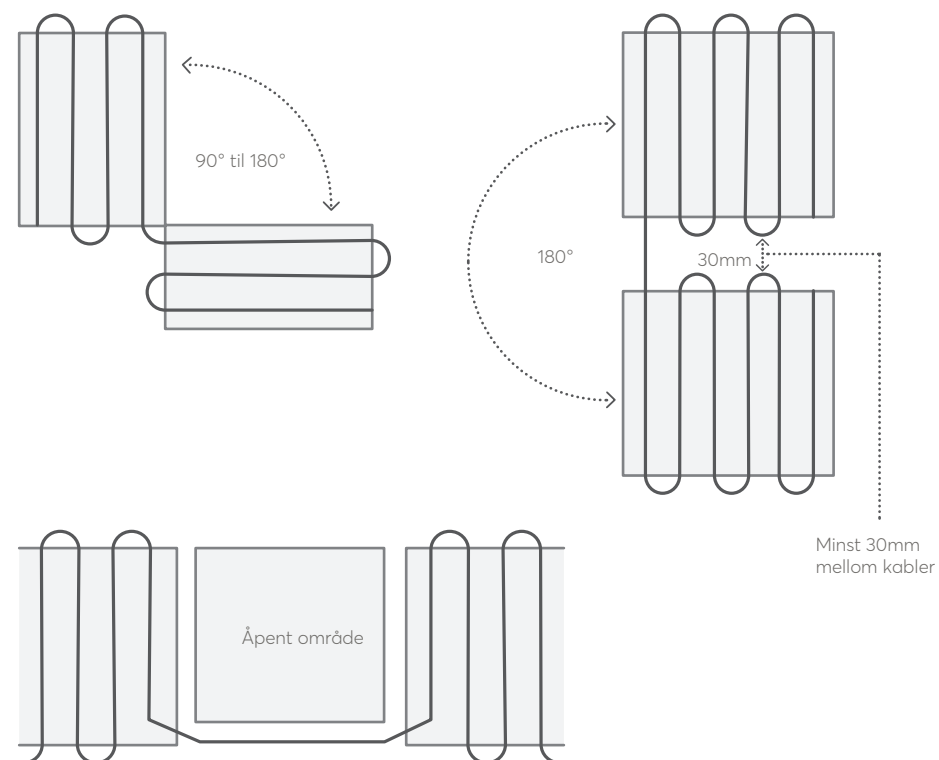
- Varmematten består av varmekabelen festet til en støttende glassfiberduk.
- Varmekablene skal kobles til et elektrisk nettverk med 230 V, 50 Hz. Kapslingsgrad: IP67.
- NUM-matter har kabelbeskyttelse. Kabelskjermen møter standardkravene for metallnett eller metallskjerm og gir økt beskyttelse i rom hvor det trengs (baderom, vaskerom osv.). Kabelskjermen skal kobles til PE-lederen eller til en beskyttende jordkobling.
- NUM-matter har dobbeltsidig tape på den nederste kanten. Etter at du har fjernet dekkpapir fra denne tapen, kan matten festes til fundamentet.
- Fest tilkoblingene og enden på varmekabelen til duken med strips.



## 2. Bruke matter til moderat akkumulerende og direkte gulvvarme

### a). Dimensjonering

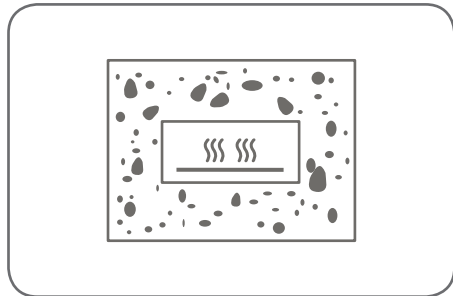
- Hvis gulvvarmen er ment for å varme opp gulvoverflaten i korte perioder, anbefaler vi å installere varmematten nært gulvets overflate.
- Hvis gulvvarmen er ment for å varme opp et rom må du kjenne til varmetapsverdien til bygningen slik at du kan velge det varmesystemet som passer best. Den installerte effekten skal tilsvare 1,1 til 1,3 ganger det beregnede varmetapet til bygningen. Hvis det er umulig å installere den beregnede effekten i hele gulvet, må du bruke supplerende varmeapparater (f.eks. konvektorovner).
- Til kortvarig oppvarming og til baderom anbefaler vi å bruke NUM160 W/m<sup>2</sup>. Til rom ment for varig opphold anbefaler vi å bruke NUM 100W/m<sup>2</sup>.



## INSTALLASJON I BETONG

### b). Installasjon – moderat akkumulerende gulv

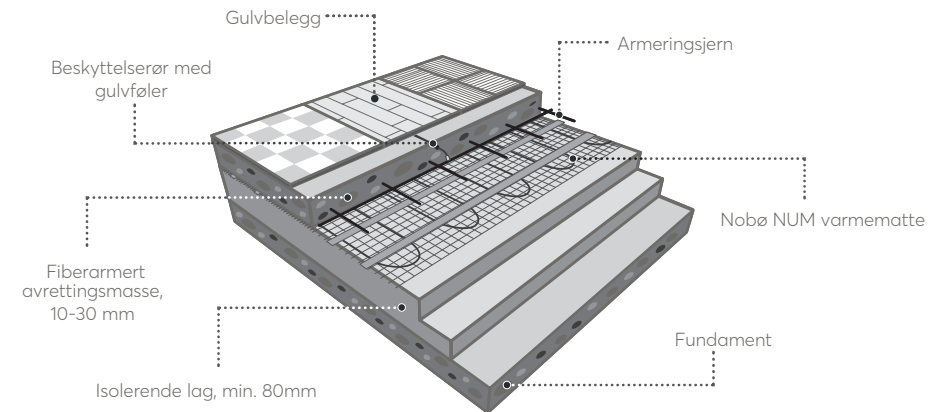
- Les først avsnitt 1 i "Generelle vilkår og betingelser".
- Betongblandingen må være tilstrekkelig kompakt slik at laget ikke inneholder luftbobler, hulrom og lignende og sikrer full kontakt med varmekabelen. Komprimeringen må gjøres forsiktig, for hånd, slik at kabelen ikke blir skadd. Stavvibratører skal absolutt ikke brukes.
- Fiberarmert betongblanding må brukes.
- Når du støper betong må du huske på at de støpte områdene ikke vil føyes helt sammen ved pauser i arbeidet på over 60 minutter. I tilfelle lengre pauser må du lage en selvklebende koblingsbro med primer.
- Områdene hvor varmemattene skal legges ut, må varmeisolerers med polystyren (polystyren på minst 25 kg/m<sup>3</sup> eller helst ekstrudert polystyren med langvarig termisk resistans på 75 °C) eller mineralgulv med en tykkelse på 70-80 mm. I tilfelle et moderat akkumulerende system kan du plassere varmematten rett på varmeisolasjonen (NUM100 W/m<sup>2</sup> – utvidet polystyren, NUM160 W/m<sup>2</sup> – ekstrudert polystyren). Når du installerer armeringsstål, må du passe godt på så du ikke skader kabelisoleringen.



### Fremgangsmåte

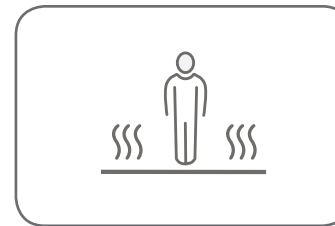
- Rengjør betongområdet, fjern skarpe gjenstander.
- Rull ut varmematten i henhold til området som skal varmes opp.
- Fjern beskyttelseslaget fra den selvklebende tapen og fest matten til fundamentet.
- Kabelskjermen kobles til den beskyttende jordkoblingen til installasjonen.
- Kontakten som forbinder den kalde tilkoblingsenden og varmekretsen skal ikke installeres med bøy.
- Mål resistansen til varmekretsen og isolasjonsresistansen og registrer de målte verdiene i garantibeviset.
- Dekk til matten med et betonglag. Etter at du er ferdig med å støpe betongen måler du resistansverdiene på nytt og registrerer dem i garantibeviset.

- Vent minst 28 dager etter installasjonen før du tar matten i bruk, slik at betongen får satt seg fullstendig.
- Materialer som brukes til å behandle overflaten, må være godkjent av de respektive produsentene for bruk på gulv med varme.



### c). Installasjon – direkte varmeanlegg

- Les først avsnitt 1 i "Generelle vilkår og betingelser".
- Du finner detaljerte beskrivelser om bruk av de enkelte materialene i respektive installasjonsveiledninger.

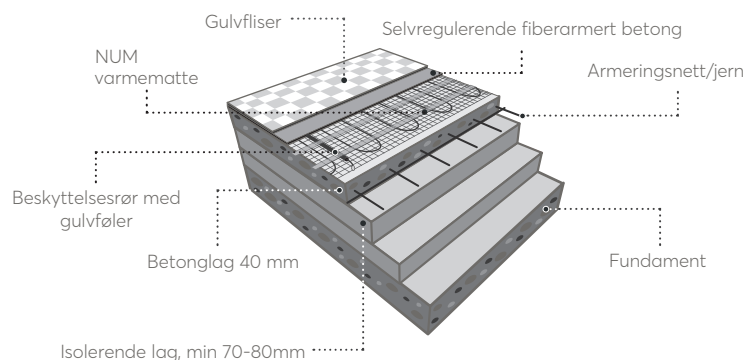


### Fremgangsmåte

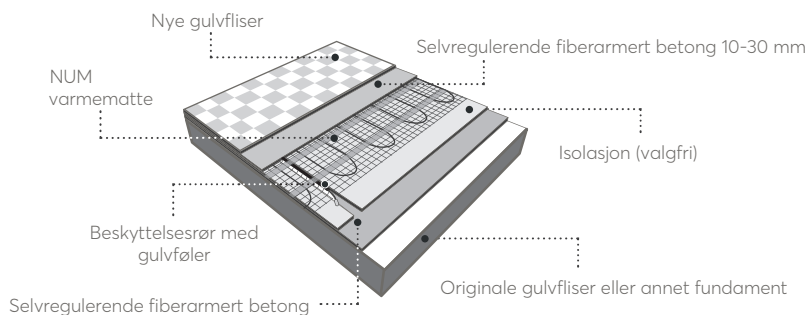
- Rull ut varmematten og juster den i henhold til området som skal varmes opp. Merk av på gulvet hvor matten kobles til og hvor den slutter. Rull inn matten igjen.
- Lag "lommer" i fundamentmaterialet hvor du kommer til å plassere tilkoblingene til de varmende og de ikke-varmende komponentene.
- Rengjør betongområdet, fjern skarpe gjenstander og påfør et lag med primer.
- Rull ut varmematten i henhold til området som skal varmes opp.

- Fjern beskyttelsesdekket fra den selvklebende tapen og fest matten til fundamentet.
- Mål resistansen til varmekretsen og isolasjonsresistansen og registrer de målte verdiene i garantibeviset.
- Bruk selvregulerende fiberarmert masse og en murerkje for å glatte ut gulvoverflaten. Vær forsiktig så du ikke skader kabelen med den skarpe kanten på murerkjeen.
- Før du legger gulvflisene må du måle resistans og isolasjonsresistans igjen og registrere begge verdiene i garantibeviset.
- Legg gulvflisene på overflaten.
- Når du tar i bruk varmematten, må den fiberarmerte betongmassen ha blitt helt herdet (se anbefalinger fra produsent).

#### Direkte varmelegg – nye konstruksjoner



#### Direkte varmelegg – over eksisterende gulv



#### d) Viktig ved installasjon

- Termostater med gulvføler installert i gulvets varmedel minst 30 cm innenfor det oppvarmede området må brukes for å regulere varmen i rom som varmes opp med varmematter.
- Plasser gulvføleren til termostaten så nær gulvets overflate som mulig. Plasser føleren i et ledningsrør med en tilstoppet ende for å unngå at det trenger inn bygningsmaterialer.

- Ved installering av direkte varme må du plassere ledningsrøret midt i en sløyfe, mellom sløyfene til varmekabelen. Ledningsrøret må ikke berøre eller krysse varmekabelen!
- Bøyningsradiusen til ledningsrøret mellom veggen og gulvet må utføres slik at føleren kan skiftes ut om det blir nødvendig! Den anbefalte minste bøyningsradiusen er 6 cm.
- Sett termostaten til modusen: Rom- + gulvtemperaturbegrensning.
- Største tillatte gulvtemperaturinnstilling (hvis databladet til dekket ikke oppgir en lavere verdi):

27 °C - rom som brukes over lengre perioder

35 °C - rom som brukes over kortere perioder, med gulvfliser

### 3. Fremskynde oppvarmingen fra varmegulv

#### a) For varmematte lagt i betonglag

- Vent minst 4-6 uker etter installasjonen før du tar matten i bruk, slik at betongen får satt seg fullstendig.
- På den første dagen setter du temperaturen i gulvet til å være lik temperaturen i rommet (maks 18 °C).
- På de følgende dagene øker du temperaturen gradvis med 2 °C pr. dag opp til 27 °C.
- Oppretthold temperaturen på 27 °C i en periode på tre dager.
- Så senker du temperaturen i gulvet med 5 °C pr. dag til du når den opprinnelige temperaturen.
- Deretter kan du stille inn den ønskede temperaturen og ta gulvet i normal bruk.

#### b) For varmematte lagt i fiberarmert selvregulerende materiale

- Vi anbefaler å ta i bruk matten fem dager etter at du har lagt det siste laget på gulvet (gulvbelegg).

**Merk:** Verdiene nevnt over er kun veiledende, du må følge instruksjonene fra produsenten av de øvrige konstruksjonsmaterialene.

### 4. Garanti og reklamasjon

Glen Dimplex Nordic AS garanterer at produktet er fritt for produksjonsfeil i en periode på fem år fra kjøpsdato angitt i garantibevis. Installasjon må være utført innen seks måneder fra kjøpsdato. Følgende forutsetninger gjelder:

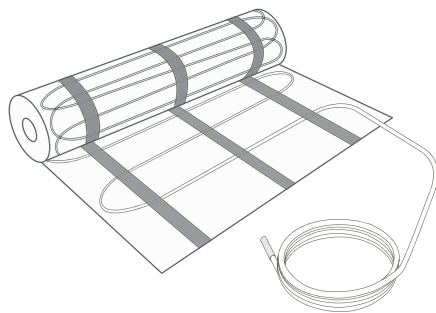
- Garantibevis/samsvarserklæring og kjøpsdokumentasjon er fylt ut
- Fremgangsmåten beskrevet i denne bruksanvisningen er fulgt
- Informasjon om legging og tilkobling av kabelen i gulvet og de målte verdiene for varmekabelens isolasjonsresistans er gitt
- Fremgangsmåten for å legge forseglingssement angitt av produsenten har blitt fulgt.

Ved reklamasjonssaker skal Glen Dimplex Nordic skal alltid kontaktes før eventuelle utbedringer iverksettes. Se [www.glendimplex.no](http://www.glendimplex.no) for utvidede garantibetingelser og garantibevis/samsvarserklæring.

# NOBO

Nordic World Class Heating Solutions

Denne manualen er laget for installatører, eiere og brukere av varmematter NUM og må overlates til ny eier/bruker ved eierskifte sammen med korrekt utfylt garantibevis/samsvarserklæring.



---

Glen Dimplex Nordic AS  
Box 16 N-7105 Stjørdal Norway  
Phone: +4774829100  
email: [email@glendimplex.no](mailto:email@glendimplex.no)  
[www.glendimplex.no](http://www.glendimplex.no)



Nordic World Class Heating Solutions

# INSTALLATION GUIDE

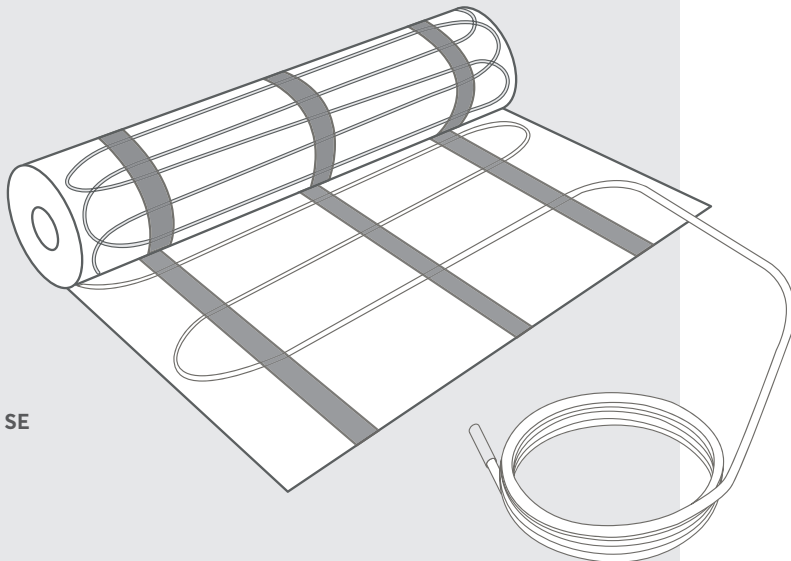
## NOBÖ GOLVVÄRMEMATTOR NUM100W/m<sup>2</sup> NUM160W/m<sup>2</sup>

ALMÄNNA VILKOR

INSTRUKTION OCH MONTAGE

DIMENSIONERING

GARANTI



## REGLER OCH VILLKOR

- Värmemattor får endast användas som en del av byggnadskonstruktionen. Att värmekabeln limmats fast i glasfiber materialet under tillverkning är endast en tillfällig lösning. Värmemattan är avsedd för installation i våta byggnadsprocesser (betong, lim och "självtjämnande" flytspackel förutsatt att cementen uppfyller kraven gällande värmeflexibilitet – under installation måste tillverkarens instruktioner följas.) Vid användning måste värmemattan vara i full kontakt med dessa material och inga luftbubblor får förekomma.
- Mattan kan justeras endast så som visas i bilderna 1–3, och den får inte kortas av på något sätt. Du får endast korta av de kalla anslutningsändarna om så behövs. Anslutningen mellan den kalla änden och värmekabeln får inte installeras i en vinkel. Värmemattornas värmekablar får varken vidröra eller korsa varandra. Det minsta avståndet mellan kablarna är 30 mm. Om värme- eller strömkablarna skadas måste de bytas ut eller repareras av tillverkaren, deras servicetekniker eller en person med liknande behörighet för att förhindra att en farlig situation uppstår. Du får inte använda spikar eller skruvar för att installera kablarna!
- När du installerar kablarna måste diametern på böjningen i kabel vara minst åtta gånger större än kabelns diameter.
- Värmemattan ska föregås av en jordfelsbrytare med en märkström på  $I_{\Delta n} \leq 30$  mA. Vi rekommenderar att varje värmeenhet/krets utrustas med en separat jordfelsbrytare.
- Av säkerhetsskäl får värmemattorna inte installeras i väggar.
- Värmemattorna kan förvaras i temperaturer mellan +10 °C och +35 °C och installeras i temperaturer mellan +5°C och +30°C. När de är i drift får de inte utsättas för temperaturer över 70 °C.
- När mattan plockas ut ur förpackningen, hanteras och installeras ska du iaktta försiktighet för att inte orsaka mekanisk skada på den – kontrollera värmekabeln visuellt innan du håller på ingjutningsmassa.
- Värmemattan får inte installeras på oregelbundna ytor.
- Värmemattan är huvudsakligen avsedd för installation med stödmaterialet vänd mot golvet. Den kan dock även installeras tvärtom.
- Om mattorna läggs på en yta som är större än 20 m<sup>2</sup>, eller med en diagonal som är större än 7 m, måste du ta med expansionen av grundmaterialet i beräkningen. Värmekabeln får inte korsa expansionsfogarna. Anslutningskablarna utan värme som sitter vid expansionsfogarna måste läggas löst i ett skydds rör. Alla installerade komponenter som passerar från väggen till golvet, den kalla anslutningsändan, termostats givare etc., måste placeras i installationsrör och måste klara av rörelse mellan golvet och väggen.
- För att möjliggöra expansion runt utkanten av rummet mellan vägg och golvmaterial ska en expansionsprofil användas eller så ska utrymmena fyllas med silikon. Avståndet mellan värmemattan och väggen får inte vara mindre än 50 mm.
- Mattan får inte placeras under möbler såsom badkar, toaletter och liknande eller under möbler där luft inte kan cirkulera. Den maximala värmeresistansen mellan värmedelen och rummet får vara  $R=0,18$  m<sup>2</sup>K/W.
- Installationen måste utföras på sådant sätt att det är möjligt att koppla bort mattorna med en 2-polig brytare med minst 3,5 mm brytavstånd.

- Etiketten på den kalla änden av värmemattan innehåller serienumret och tillverkningsdatumet. Etiketten på mattans förpackning visar mattans typ, mått och yta, total effekt, effekt per 1 m<sup>2</sup> samt mattans matningsspänning och elektriska resistans.
- Innan och efter mattorna läggs ska du mäta resistansen i värmekretsen. De uppmätta värdena ska vara lika höga. Skriv ned de uppmätta värdena på garanticertifikatet.
- Innan och efter kablarna läggs ska du mäta isoleringsresistansen mellan värmeledaren och skyddsflätan. Det uppmätta värdet får inte vara mindre än 0,5 MΩ. Skriv ned de uppmätta värdena på garanticertifikatet.
- Innan du öppnar förpackningen med värmemattan ska du kontrollera om uppgifterna på etiketten stämmer överens med produkten som du har beställt.
- Vid eventuella avvikelser ska du rapportera dessa omedelbart till tillverkaren eller leverantören och avbryta pågående arbete helt.
- Du måste rita upp värmemattans kopplingsschema på garanticertifikatet och indikera det exakta avståndet mellan anslutningarna för strömkabeln och värmedelen från husets väggar. Skriv ned värmemattans serienummer och tillverkningsnummer som står angivna på etiketten vid mattans kalla ände och sätt sedan upp etiketten vid elcentralen.
- Installatören måste informera andra entreprenörer om värmeenheten som är installerad i golvet och de tillhörande riskerna.
- Dokumentation med information om värmesystemet måste alltid vara tillgängligt och lämnas över till eventuella nya ägare eller hyresgäster.
- När mattorna installeras måste kraven i standarderna CSN 33-2000-7-753/HD 3844-7-753; EN 50559 uppfyllas.
- Den här produkten är tillverkad enligt standarderna EN 60335-2-96/IEC 60335-2-96 och den måste installeras enligt nationella regler för elinstallationer.
- Värmemattan kan installeras i badrummet även under zon 0 förutsatt att kontakten och värmekabelns ände installeras utanför den här zonen.
- Om delar av värmemattan förläggs under zon 0 ska mattan anslutas via en jordfelsbrytare med en utlösningström på 10 mA.
- Om värmeisoleringslagret under värmesystemet är undermåligt kan det medföra avsevärd värmeförlust (värmen går nedåt). Rekommenderad värmeisolering är 70–80 mm pressad polystyren eller liknande värmeisoleringsmaterial. Om ombyggnad ska utföras, där det inte finns utrymme att installera värmeisoleringen på ett tillräckligt djup på de befintliga kakelplattorna, rekommenderar vi att man lägger F-skivor med en tjocklek på 6 mm eller 10 mm för att påskynda uppvärmningen av ytan och för att minska värmeförlusten. Det här materialet installeras i tätningsmedlet som formats med hjälp av en fixkam och värmemattan läggs sedan direkt på ytan. F-skivorna behöver inte genomborras.
- Rengöring och skötsel får inte utföras av barn utan uppsikt.

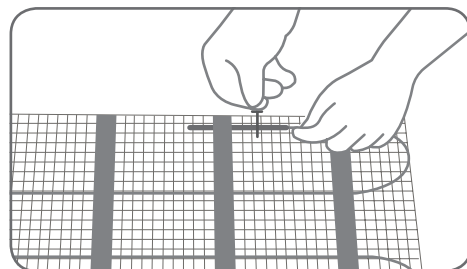
- Användaren måste instrueras av installatören gällande installation av golvvärmen. Detta står angivet på etiketten som medföljer produkten och denna måste fästas vid elcentralen: den här etiketten informerar även om att det är förbjudet att göra hål i folien och att placera möbler eller armaturer på golvet utan att lämna en glipa på minst 4 mm mellan golvet och den undre ytan.



## INSTALLATION

### 1. Beskrivning och anslutning

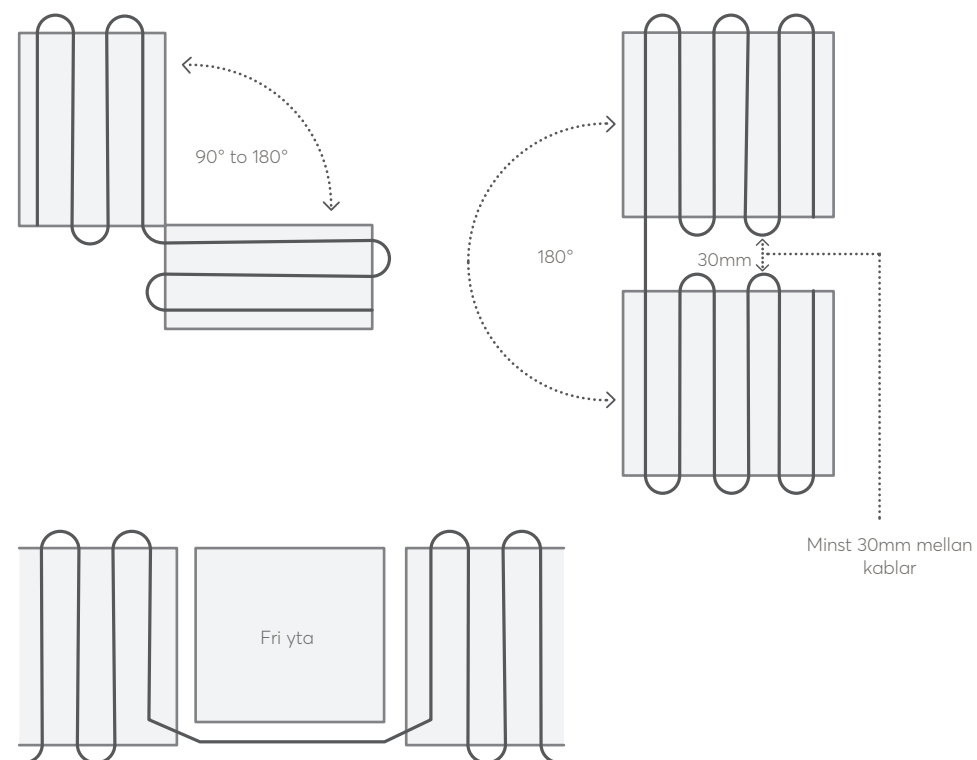
- Värmemattan består av värmekabel som är monterad på ett glasfibermaterial.
- Värmekablarna ska anslutas till ett elnät på 230 V, 50 Hz. Nobö NUM har kapslingsklassning: IP67.
- NUM-mattor är försedda med skyddsflätor. Kabelns skyddsfläta uppfyller de standarder som krävs av metallnät eller metallsköldar och ger ökat skydd i utrymmen där sådant krävs (badrum, tvättstuga etc.). Skyddsflätan ska anslutas till skyddsjord.
- NUM-mattorna är försedda med dubbelhäftande tejp på den nedre kanten. Efter att ha tagit bort skyddspapperet från tejpens kan man fästa mattan i underlaget.
- Sätt fast anslutningarna och änden på värmekabeln i materialet med hjälp av den medföljande åtdragningsremsan.



## 2. Använda mattor för måttligt ackumulerande och direkt golvvärme

### a) Dimensionering

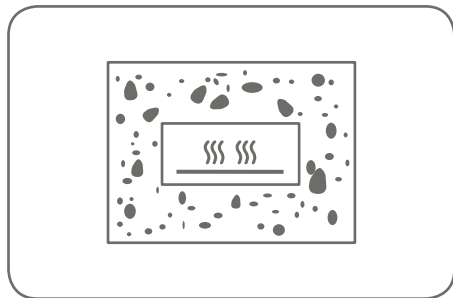
- Om golvvärmen är avsedd att användas för att värma upp golvytan i korta intervaller rekommenderar vi att värmemattan installeras nära golvet yta.
- Om golvvärmen ska användas för att värma upp ett rum måste du känna till byggnadens värde för värmeförlust för att välja lämpligt värmesystem. Den installerade effekten ska stämma överens med en multipel på 1,1 till 1,3 av byggnadens beräknade värmeförlust. Om det inte är möjligt att installera den beräknade effekten i hela golvytan måste ytterligare en värmekälla användas (t.ex. elradiator).
- För kortsiktig uppvärmning och för badrum rekommenderar vi att man använder NUM 160 W/m<sup>2</sup>. För rum där man ska vistas längre tid rekommenderar vi att man använder NUM 100W/m<sup>2</sup>.



## INSTALLATION I BETONG

### b) Installation – kabel i betong

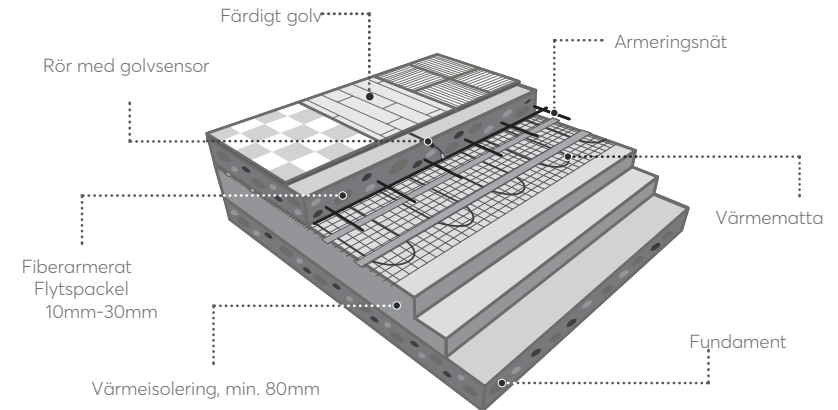
- Läs först punkt 1 i våra regler och villkor.
  - Betongblandningen måste vara så kompakt att lagret inte innehåller några luftbubblor, håligheter eller liknande samt att det säkerställer fullständig kontakt med värmekabeln. Kompaktering måste ske noggrant och för hand för att undvika skada på kabeln. Nedsänkta vibratorer får aldrig användas.
  - Betongblandningen måste innehålla så kallade mjukgörare, (till exempel MAPEI, DYNAMONSR eller PLANICRETE).
  - När man gjuter med betong ska man komma ihåg att de olika betongdelarna inte sammanfogas ordentligt om man tar en paus på mer än 60 minuter under arbetets gång. Om du behöver ta en längre paus måste du därför skapa en vidhäftande anslutning (t.ex. genom priming eller på annat sätt).
  - Ytorna där värmemattan ska läggas måste värmeisoleras med polystyren (expanderad polystyren på minst 25 kg/m<sup>3</sup> eller, ännu bättre, pressad polystyren med en långvarig värmeresistans på 75 °C) eller mineralgolvskivor som är 70–80 mm tjocka. Om ett måttligt ackumulerande system används kan värmemattan placeras direkt på värmeisoleringen (NUM 100W/m<sup>2</sup> – expanderad polystyren, NUM 160 W/m<sup>2</sup> – pressad polystyren).
- Vid installation av armeringsjärn måste du vara försiktigt så att du inte skadar kabelns isolering.



### PROCEDUR

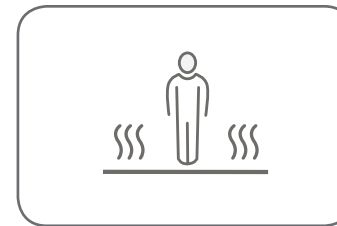
- Rengör betongytan och ta bort alla vassa föremål.
- Rulla ut värmemattan på ytan som ska värmas upp.
- Ta bort skyddslagret från den dubbelhäftande tejp och fäst mattan i underlaget.
- I fuktiga utrymmen ska du ansluta kabelns skyddsfläta till rummets skyddsjord.
- Kontakten mellan den kalla anslutningsändan och värmekretsen får inte installeras i en vinkel.
- Mät resistansen i värmekretsen och isoleringsresistansen/läckströmmen och skriv ned de uppmätta värdena på garanticertifikatet.
- Täck över mattan med ett lager betong. När betonggjutningen är färdig mäter du resistansvärdena igen och skriver ned dem på garanticertifikatet.

- Vänta minst 28 dagar efter installation innan du driftsätter mattan, så att betongen har torkat ordentligt.
- Material som används till golvytan måste vara godkända av sina respektive tillverkare för användning under värmebelastning.



### c) Installation – värmematta

- Läs först punkt 1 i våra regler och villkor.
- Detaljerade användningsinstruktioner för de enskilda materialen finns i de rekommenderade materialens bruksanvisningar.



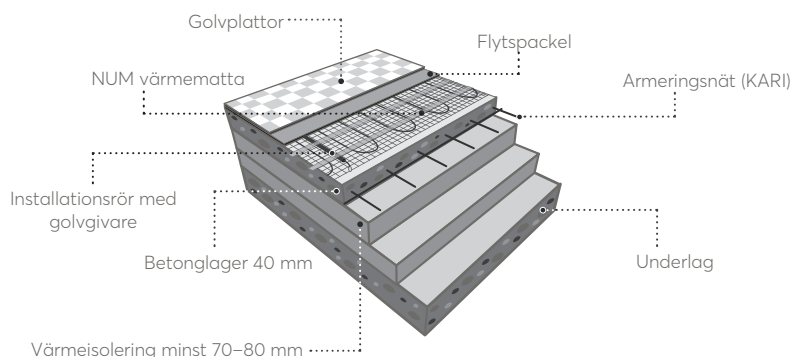
### PROCEDUR

- Rulla ut värmemattan och justera den efter ytan som ska värmas upp. Märk ut platsen för anslutning och platsen där värmemattan slutar på golvet. Rulla ihop mattan igen.
- Gör "fickor" i grundmaterialet där du placerar anslutningarna för de varma och kalla komponenterna.
- Rengör betongytan, ta bort alla vassa föremål och belägg den med en lämplig primer.
- Rulla ut värmemattan på ytan som ska värmas upp.

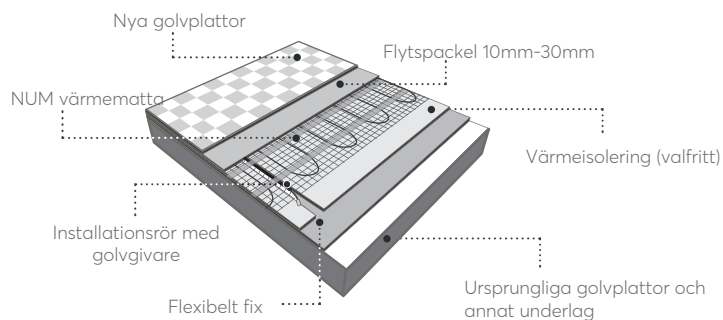


- Ta bort skyddslagret från den dubbelhäftande tejpens och fäst mattan i underlaget.
- Mät resistansen i värmekretsen och isoleringsresistansen och skriv ned de uppmätta värdena på garanticertifikatet.
- Använd ett flexibelt flytspackel för att jämna till golvytan (var försiktig så att du inte skadar kabeln).
- Innan du lägger golvplattorna ska du mäta värmekretsens värden igen och skriva ned båda värdena på garanticertifikatet.
- Lägg golvplattorna på underlaget.
- När du driftsätter värmemattan måste flytspacklet ha härdat helt (se användningsinstruktioner och rekommendationer från materialets tillverkare).

### Värmematta – nybyggnation



### Värmematta – ombyggnad



#### d) Reglering

- Termostater med en golvgivare installerad i den uppvärmda delen av golvet, där minst 30 cm ska ligga inom den uppvärmda delen, måste användas för värmeregleringen av rum som värms upp med hjälp av värmekretsar/värmemattor.
- Placera termostaternas golvgivare så nära golvytan som möjligt. golvgivaren placeras i ett rör vars ände tätas för att förhindra att byggnadsmaterial tar sig in.

- Om värmemattan används placeras röret i mitten mellan några av värmekabelns slingor. Röret får inte vidröra eller korsa värmekabeln!
- Böjningsradien på röret mellan väggen och golvet måste vara sådan att givaren kan bytas ut om det behövs! Den rekommenderade minsta böjningsradien är 6 cm.
- Termostaten måste vara inställd på följande läge: Temperaturgräns för rum + golv eller Golv.
- Den maximala tillåtna inställningen för golvtemperatur (om databladet för golvmateriallet som används inte anger ett lägre värde):

27 °C – rum som används under längre tid  
35 °C – rum som används i kortare perioder, med golvplattor

### 3. Påskynda uppvärmningen av golv

#### a) För värmematta som lagts i ett betonglager

- Vänta minst 4–6 dagar efter installation innan du driftsätter mattan, så att betongen har torkat ordentligt.
- Den första dagen ska du ställa in golvtemperaturen på samma temperatur som det är i rummet (som mest 18 °C).
- Efterföljande dagar ökar du golvvärmegradvis med 2 °C per dag upp till 28 °C.
- Låt temperaturen ligga på 28 °C i tre dagar.
- Sänk sedan golvtemperaturen med 5 °C per dag tills du når den ursprungliga temperaturen.
- Sedan kan du ställa in önskad temperatur och börja använda golvvärmegrad normalt.

#### b) För värmematta som lagts i självnivellerande material och i tätningsmedel

- Vi rekommenderar att du driftsätter mattan 5 dagar efter att det sista lagret av golvet har lagts (golvbeläggningen).

Obs! Värdena som nämns ovan anges endast i informationssyfte. Du måste följa instruktionerna från tillverkaren för respektive material.

### 4. Garanti, anspråk

Nobö som leverantör av NUM värmemattor ger en garanti på 10 år gällande produktens funktion, från och med det att dess installation bekräftas på garanticertifikatet (installationen måste ske inom 6 månader från inköpsdatumet), förutsatt att följande uppfylls:

- ett garanticertifikat och kvitto lämnas in
- proceduren som beskrivs i denna bruksanvisning följs
- uppgifter om placering och anslutning av kabeln i golvet och de resulterande uppmätta värdena för värmekabelns isoleringsresistans lämnas in
- proceduren för applicering av tätningsmedlet som specificeras av tillverkaren följs.

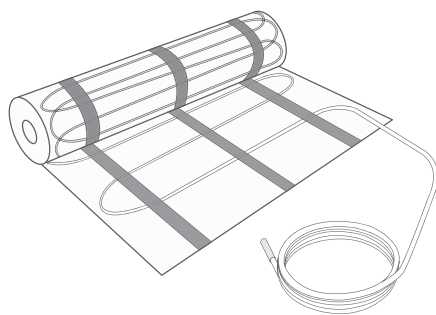
Anspråk kan göras skriftligen till företaget som utför installationen eller direkt till tillverkaren.

Anspråksproceduren finns även tillgänglig på webbplatsen: [www.glendimplex.se](http://www.glendimplex.se)

# NOBO

Nordic World Class Heating Solutions

Denna instruktionsmanual är avsedd för leverantörer, ägare samt användare av värmekabel. Manualen ska följa anläggningen och överlämnas till evt ny ägare/användare tillsammans med garantibevis.



---

Glen Dimplex Nordic AB  
Linjalvägen 6A, 187 66 Täby  
Tel: 08-471 03 50  
[www.glendimplex.se](http://www.glendimplex.se)

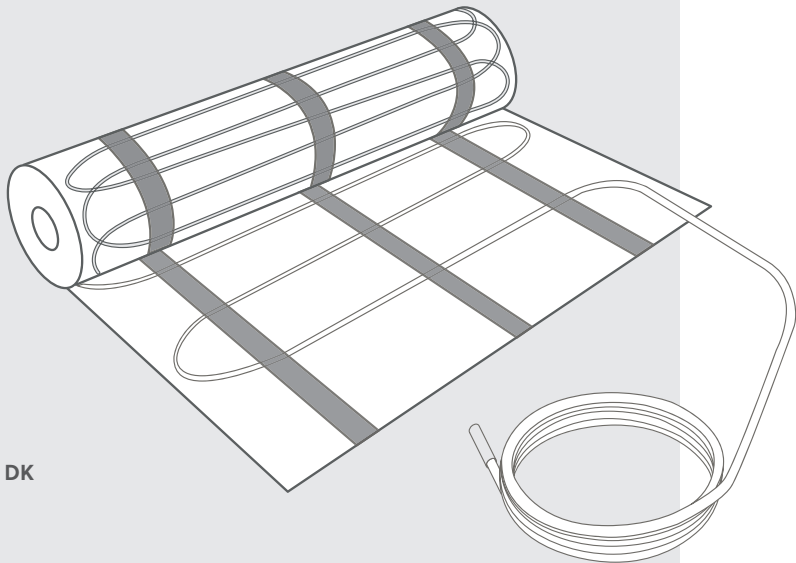


Nordic World Class Heating Solutions

# INSTALLATIONS MANUAL

## Nobø Varmemåtter NUM 100W/m<sup>2</sup> NUM160W/m<sup>2</sup>

ALMINDELIGE BETINGELSER
BESKRIVELSE OG TILSLUTNING
DIMENSIONERING
GARANTI OG REKLAMATIONER



DK

## ALMINDELIGE BETINGELSER

- Varmemåtter skal kun bruges som en del af bygningskonstruktioner. Fastgøring af varmekablet til glasfiberstoffet under fremstillingen med lim anses kun som en midlertidig binding. Varmemåtten er beregnet til installation i våde konstruktionsprocesser (beton, klæbende og "selv-nivellerende" tætningsmaterialer baseret på cement, som opfylder varmemåttens krav – under brug skal producentens vejledning følges). Når den er i brug, skal varmemåtten have fuldstændig kontakt med disse materialer og være fri for luftbobler.
- Måtten kan kun tilpasses, som vist i billede 1-3, og den må under ingen omstændigheder forkortes. Du kan kun forkorte enderne til kold tilslutning. Tilslutningen, der forbinder den kolde ende og varmekablet, må ikke installeres bøjet. Varmemåtternes varmekabler må ikke røre eller krydse hinanden. Minimumsafstanden mellem kablerne er 30 mm. Hvis varme- eller strømforsyningskablerne er beskadigede, skal de skiftes ud eller repareres af producenten, producentens servicetekniker eller en lignende kvalificeret person for at forhindre en farlig situation i at opstå. Brug ikke søm eller skruer til at installere kablerne!
- Når kablerne installeres, skal diameteren på en bøjning i kablet være mindst otte gange større end kablets diameter.
- Varmemåtten skal forsynes med elektricitet ved hjælp af en fejlstrømsafbryder med en nominal strøm på  $I_{\Delta n} \leq 30 \text{ mA}$ . Vi anbefaler, at hvert varmeelement/varmekredsløb udstyres med en separat fejlstrømsanordning.
- Af sikkerhedsårsager må varmemåtter ikke installeres i vægge.
- Varmemåtter kan opbevares ved temperaturer fra  $+10 \text{ °C}$  til  $+35 \text{ °C}$  og installeres ved temperaturer fra  $+5 \text{ °C}$  til  $+30 \text{ °C}$ . Når de er i brug, må de ikke udsættes for temperaturer, der overstiger  $70 \text{ °C}$ .
- Når måtten fjernes fra emballagen, håndteres og installeres, skal du være opmærksom på at undgå mekanisk beskadigelse af måtten – udfør en visuel kontrol af varmekablet, inden du hælder byggematerialet oven på.
- Varmemåtten må ikke installeres på ujævne overflader
- Varmemåtten er primært beregnet til installation med understøttende materiale på underlaget. Den kan dog installeres i modsat rækkefølge.
- Hvis måtterne nedlægges i et område, der er større end  $20 \text{ m}^2$  eller med en diagonal større end  $7 \text{ m}$ , skal der tages højde for ekspansion af materialerne i fundamentet. Varmekablet må ikke krydse ekspansionsfugerne. De kolde forbundne kabler, placeret ved ekspansionsfugerne, skal nedlægges løst i et beskyttelsesrør. Alle installerede elementer – ender til kold tilslutning, sensor på termostat – hvor de føres fra væggen til gulvet, skal anbringes i installationsrør og muliggøre bevægelse af gulv og væg i forhold til hinanden.

- For at give plads til ekspansion i kanten af rummet mellem fodpanelerne og gulvklinkerne bruges en ekspansionsprofil, eller mellemrummene fyldes med tætningskit af silikone. Afstanden mellem varmemåtten og væggen må ikke være mindre end  $50 \text{ mm}$ .
- Måtten må ikke placeres under inventar, såsom badekar, brusere, toiletter og lignende, og heller ikke under møbler, hvor der ikke kan cirkulere luft. Den maksimale varmemodstand mellem opvarmningsdelen og rummet må være  $R=0,18 \text{ m}^2\text{K/W}$ .
- Installationen skal muliggøre frakobling af måtten eller måtterne ved begge poler. Minimumsafstanden for frakoblede kontakter skal være  $3,5 \text{ mm}$ .
- Mærkatet på varmemåttens kolde ende viser serienummeret og fremstillingsdatoen. Mærkatet på måttens emballage viser måttens type, mål og område, samlet effekt, effekt pr.  $1 \text{ m}^2$  samt måttens forsyningsspænding og elektriske modstand.
- Før og efter nedlægning af måtterne skal varmekredsløbets modstand måles. De målte værdier skal være ens. Registrer de målte værdier i garantibeviset.
- Før og efter nedlægning af kablerne skal isolationsmodstanden mellem varmelederen og beskyttelsesbeviklingen måles. Den målte værdi må ikke være mindre end  $0,5 \text{ M}\Omega$ . Registrer de målte værdier i garantibeviset.
- Inden du åbner emballagen med varmemåtten, skal du kontrollere, om oplysningerne på mærkatet er i overensstemmelse med det ønskede produkt.
- I tilfælde af misforhold bør du straks indberette dem til producenten eller leverandøren og stoppe arbejdet helt.
- Du skal tegne planen over varmemåtterne i garantibeviset, hvor du angiver den nøjagtige afstand mellem forsyningskablet og varmedelens forbindelser fra væggene i bygningen. Registrer varmemåttens serie- og produktionsnummer, som er anført på en mærkat i måttens kolde ende, og sæt denne mærkat fast i klemkassen.
- Ved installation af måtterne skal standardkravene for CSN 33-2000-7-753/HD 3844-7-753; EN 50559 opfyldes.
- Dette produkt er fremstillet i overensstemmelse med standarden for EN 60335-2-96/IEC 60335-2-96 og skal installeres i overensstemmelse med de nationale regler for elektriske installationer.
- Varmemåtten kan installeres i badeværelset, selv under område 0, under forudsætning af, at stikforbindelsen og enden af varmekablet installeres uden for dette område.
- Et utilstrækkeligt isolationslag under opvarmningssystemet kan forårsage betydeligt varmetab (varmen bevæger sig nedad). Den anbefalede isolering er  $70\text{-}80 \text{ mm}$  ekstruderet polystyren eller lignende isoleringsmaterialer. Hvis der er tale om renovering, hvor der ikke er plads til at installere varmeisoleringen i en tilstrækkelig dybde på de eksisterende klinker, anbefaler vi at installere isolationsplade i  $6 \text{ mm}$  dybde eller  $10 \text{ mm}$  for at fremskynde opvarmningen af overfladen og reducere varmetabet. Dette materiale installeres i det selvklæbende fliseklæb, som blev formet med en savtakket spartel, og varmemåtten anbringes direkte på overfladen. Isolationspladerne behøver ikke at skrues fast.
- Rengøring og vedligeholdelse af måtterne må ikke udføres af børn uden opsyn.

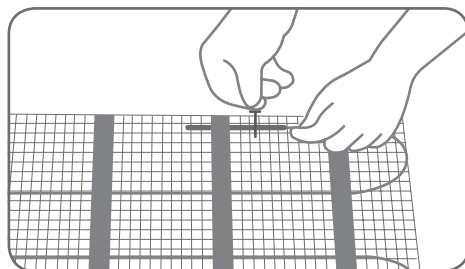
• Brugeren skal vejledes af leverandøren med hensyn til installationen af gulvvarme. Dette er oplyst på en mærkat, der leveres med produktet, og skal limes på fordelingstavlen: Denne mærkat oplyser også læseren om, at det er forbudt at lave hul samt at dække gulvet med inventar eller hårde hvidevarer uden at sørge for et mellemrum på mindst 4 cm mellem gulvet og bundfladen.



## INSTALLATION

### 1. Beskrivelse og tilslutning

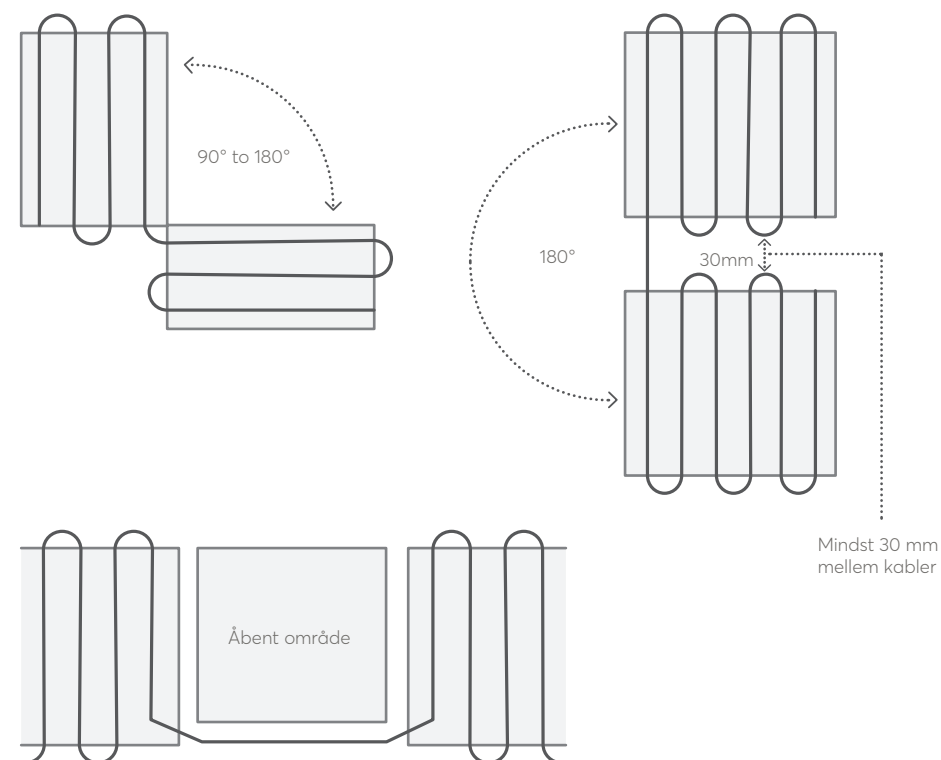
- Varmemåtten består af varmekablet, der er fastgjort til et understøttende glasfiberstof.
- Varmekablerne skal forbindes med et elektrisk netværk på 230 V, 50 Hz. Beskyttelsesgrad: IP67.
- LDTS-måtter har beskyttelseskærm. Kablets beskyttelseskærm opfylder de nødvendige standarder for metalgitter eller metalafskærmning og giver øget beskyttelse på steder, hvor det er påkrævet (badeværelse, vaskerum osv.). Beskyttelseskærm skal forbindes med PE-lederen eller en beskyttende jordforbindelse.
- LDTS-måtter leveres med tape på undersidens kanter, der klæber på begge sider. Når du har fjernet papiret på tape, kan måtten fastgøres på underlaget.
- Fastgør tilslutningerne og det øverste af varmekablet til stoffet ved hjælp af den vedhæftede fastspændingsstrop.



## 2. Brug af måtterne til moderat akkumulation af og direkte gulvvarme

### a) Dimensionering

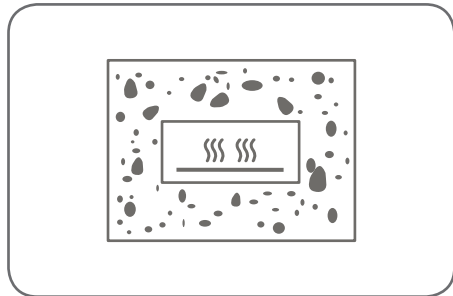
- Hvis gulvvarmen er beregnet til opvarmning af gulvoverfladen i korte perioder, anbefaler vi, at varmemåtten installeres tæt på gulvets overflade.
- Hvis gulvvarmen skal bruges til opvarmning af et lokale, skal du kende bygningens varmetabsværdi for at kunne vælge det mest egnede opvarmningssystem. Den installerede effekt bør svare til 1,1 til 1,3 gange det beregnede varmetab for bygningen. Hvis det ikke er muligt at installere den beregnede effekt i hele gulvområdet, skal der bruges et ekstra varmeelement (for eksempel et varmepanel)
- Til kortvarig opvarmning og badeværelser anbefaler vi at bruge NUM 160W/m<sup>2</sup>. Til rum, der bruges i lange perioder, anbefaler vi at bruge LDTS 80, 100 og 120W/m<sup>2</sup>.



## INSTALLATION I BETON

### b) Installation – moderat akkumulerende system

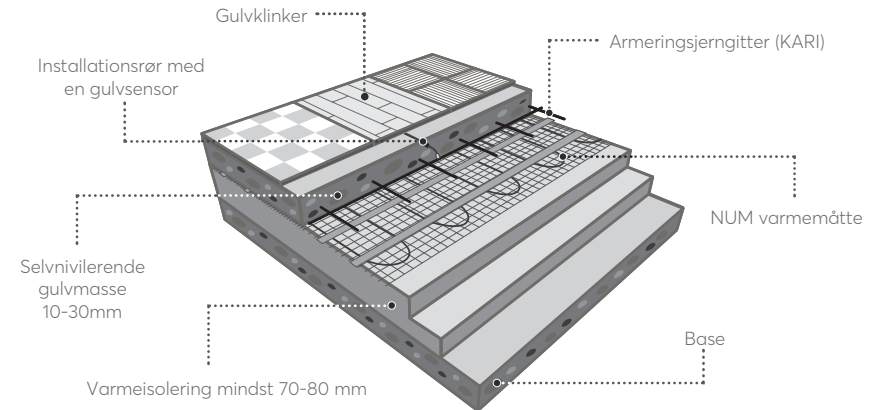
- Læs først paragraf 1 i de almindelige betingelser og vilkår.
  - Betonblandingen skal være så tilstrækkeligt kompakt, at der ikke er luftbobler, hulrum og lignende i lagene, og så den sikrer fuld kontakt med varmekablet. Komprimeringen skal udføres forsigtigt og manuelt for at forhindre beskadigelse af kablet. Der må under ingen omstændigheder bruges stavvibratorer.
  - Betonblandingen skal indeholde såkaldte blødgøringsmidler (for eksempel MAPEI-DYNAMONSR eller PLANICRETE).
  - Når betonen støbes, skal du huske på, at arbejds pauser på mere end 60 minutter vil medføre, at de støbte områder ikke forbindes fuldstændigt. I tilfælde af en længerevarende pause er det derfor nødvendigt at lave en klæbende forbindelse (f.eks. ved priming eller på anden måde).
  - De områder, hvor varmemåtten skal placeres, skal varmeisoleres ved hjælp af polystyren (ekspanderet polystyren på mindst 25kg/m<sup>3</sup> eller endnu bedre ekstruderet polystyren med en langvarig varmemodstand på 75 °C) eller mineralske gulvplader med en tykkelse på 70-80 mm. Hvis der er tale om et moderat akkumulerende system, kan varmemåtten placeres direkte på varmeisoleringen (LDTS 80, 100 og 120 W/m<sup>2</sup> – ekspanderet polystyren, LDTS 160 W/m<sup>2</sup> – ekstruderet polystyren).
- Når du installerer armeringsjernet, skal du undgå at beskadige kablets isolering.



### PROCEDURE

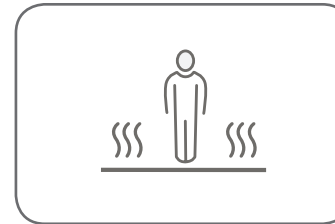
- Rengør betonområdet, fjern skarpe genstande.
- Rul varmemåtten ud i overensstemmelse med det område, der skal opvarmes.
- Fjern beskyttelseslaget fra den selvkæbende tape, og fastgør måtten til underlaget.
- I vådrumszoner skal kablets beskyttelsesskærm forbindes med lokalets beskyttende jordforbindelse.
- Samlingen der forbinder enden af den kolde tilslutning og varmekredsløbet, må ikke installeres bøjet.
- Mål varmekredsløbets modstand og isoleringsmodstanden eller strømlækagen, og registrer de målte værdier i garantibeviset.
- Dæk måtten med et betonlag. Når betonstøbningen er færdig, skal du måle modstandsværdierne igen og registrere dem i garantibeviset.

- Vent i mindst 28 dage efter installationen, inden varmemåtten tages i brug, så betonen er fuldstændig sat og tør.
- De anvendte materialer til færdiggørelse af gulvets overflade skal være godkendt af de respektive producenter til brug på gulve under varmebelastning.



### c) Installation – direkte opvarmningssystem

- Læs først paragraf 1 i de almindelige betingelser og vilkår.
- Der findes detaljerede brugsbeskrivelser af de enkelte materialer i installationsmanualerne for de anbefalede materialer.

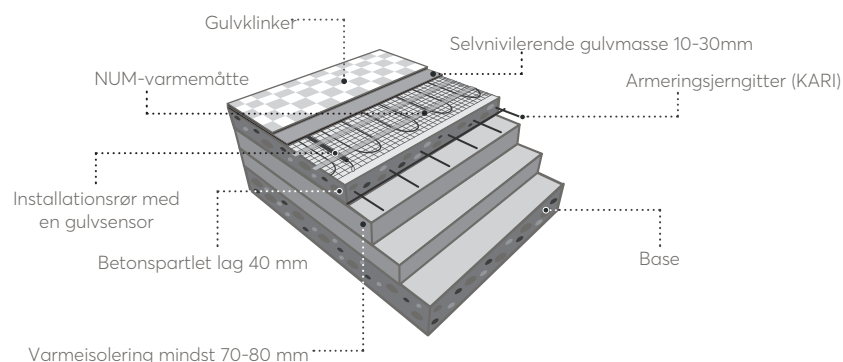


### PROCEDURE

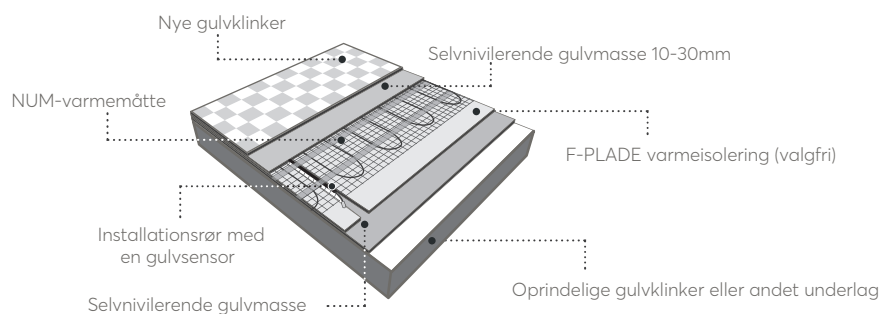
- Rul varmemåtten ud, og tilpas den i overensstemmelse med det område, der skal opvarmes. Marker stedet for tilslutningen og enden af varmemåtten på gulvet. Rul måtten sammen igen.
- Lav "lommer" i underlagsmaterialet, hvor du vil anbringe tilslutningerne til varme- og koldkomponenterne.
- Rengør betonområdet, fjern skarpe genstande, og dæk betonen med en primer.
- Rul varmemåtten ud i overensstemmelse med det område, der skal opvarmes.

- Fjern beskyttelseslaget fra den selvklæbende tape, og fastgør måtten til underlaget.
- Mål varmekredsløbets modstand og isoleringsmodstanden, og registrer de målte værdier i garantibeviset.
- Anvend selvnivellerende flydespartel og en flad spartel til at jævne gulvoverfladen (pas på ikke at beskadige kablet med spartlens skarpe kant).
- Inden du lægger gulvklínkerne, skal du måle kredsløbsværdierne igen og registrere begge værdier i garantibeviset.
- Læg gulvklínkerne på overfladen.
- Når varmemåtten tages i brug, skal det selvnivellerende flydespartel være fuldstændig hærdet (se brugsvejledningen og materialeproducentens anbefaling).

#### Direkte opvarmningssystem – nye konstruktioner



#### Direkte opvarmningssystem – genopbygning.



#### d) Regulering

- Termostater med en gulvsensor, installeret i den opvarmende del af gulvet mindst 30 cm inden for det opvarmede område, skal anvendes til varmeregulering af rum, der opvarmes ved brug af varmekredsløb/måtte.
- Placer termostatens gulvsensor så tæt på gulvoverfladen som muligt. Sensoren er placeret i et rør, hvor enden er blokeret for at forhindre indtrængen af byggematerialer.

- I tilfælde med direkte varmeanvendelser er røret placeret mellem varmekablets sløjfer, i midten af en sløjfe. Røret må ikke røre eller krydse varmekablet!
- Rørets bøjningsradius mellem væggen og gulvet skal udføres på en sådan måde, at sensoren kan udskiftes efter behov! Den anbefalede minimumsbøjningsradius er 6 cm.
- Termostaten skal indstilles til tilstanden: Rum- + gulvtemperaturgrænse eller Gulv.
- Den maks. tilladte indstilling for gulvtemperatur (hvis databladet for den anvendte belægning ikke angiver en mindre værdi):

27°C - rum, der bruges i længere perioder

35°C - rum, der bruges i kortere perioder med gulvklínker

### 3. Øgning af hastigheden for opvarmning af varmegulvene

#### a) Til varmemåtte i et betonlag

- Vent i mindst 4-6 uger efter installationen, inden varmemåtten tages i brug, så betonen er fuldstændig hærdet og tør.
- Den første dag indstilles gulvtemperaturen til at være den samme som rumtemperaturen (maks. 18 °C).
- I de følgende dage øges gulvtemperaturen gradvist med 2 °C om dagen op til 28 °C.
- Lad temperaturen forblive 28 °C i tre dage.
- Reducer derefter gulvets temperatur med 5 °C om dagen, til den indledende temperatur er opnået.
- Derefter kan du indstille den ønskede temperatur og bruge gulvet som normalt.

#### b) Til varmemåtte, der er nedlagt i selv-nivellerende materiale og selvklæbende tætningskit

Vi anbefaler, at måtten tages i brug 5 dage efter at have lagt gulvets sidste lag (gulvbelægning).

Bemærk: De ovennævnte værdier er kun vejledende. Du skal følge producenten af det respektive byggematerialers vejledning.

### 4. Garanti og reklamationer

Nobø, som leverandør af varmemåtte giver en garantiperiode på 10 år for produktets funktionalitet, startende fra installationsdatoen, der er bekræftet i garanticertifikatet (installationen skal udføres mindst inden for 6 måneder efter købet), under forudsætning af at:

- Der indsendes et garantibevis og dokumentation for købet
- Proceduren beskrevet i denne brugervejledning er blevet overholdt
- Oplysninger om nedlægning og tilslutning af kablerne i gulvet og de deraf følgende målte værdier af varmekablets isoleringsmodstand indsendes, og
- Proceduren for påføringen af tætningskit, som angivet af producenten, er blevet overholdt.

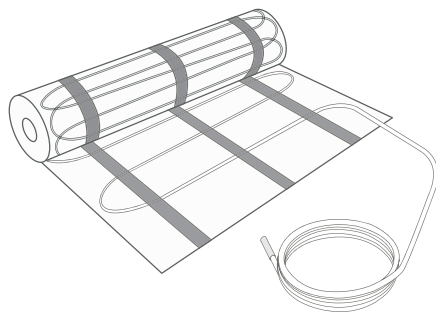
Reklamationer kan indsendes skriftligt til firmaet, der udførte installationen, eller direkte til producenten.

Se garanti/overensstemmelses erklæringer på [www.glendimplex.dk](http://www.glendimplex.dk)

# NOBO

Nordic World Class Heating Solutions

Denne brugsanvisning er tiltænkt leverandørerne, ejer og brugere af varmemefolie, i tilfælde af nye ejere/brugere, skal denne overdrages til disse, sammen med et komplet udfyldt garantibevis.



---

Glen Dimplex Nordic  
Lyskær 8B, 2730 Herlev, Danmark  
Tlf: +45 22 50 42 28,  
[www.glendimplex.dk](http://www.glendimplex.dk)



# NOBO

Nordic World Class Heating Solutions

## ASENNUSOHJE

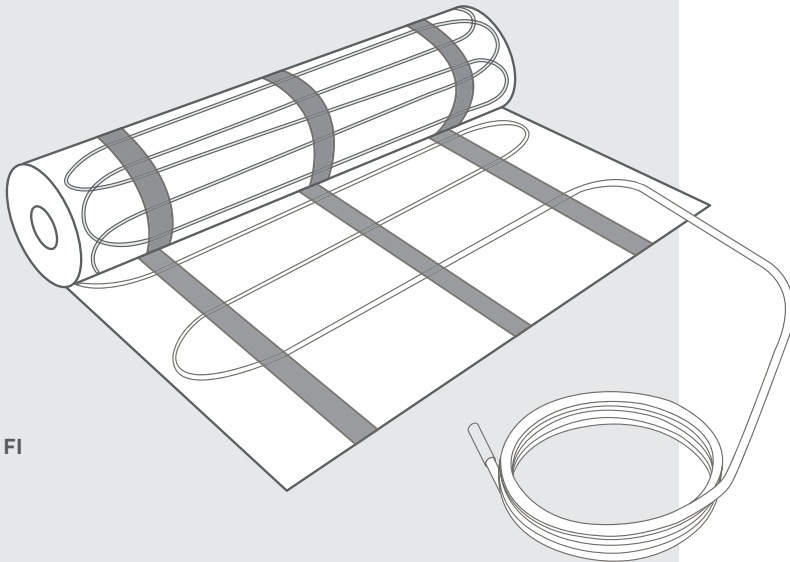
### Nobö Lämmitysmattoja NUM100W/m<sup>2</sup> NUM160W/m<sup>2</sup>

Yleiset ehdot

Kuvaus ja asennus

Mitoitus

Takuu ja reklamaatiot



FI

## YLEISET EHDOT

- Lämmitysmattoja voidaan käyttää vain osana rakennuksen rakenteita. Lämmityskaapelin kiinnittäminen lasikuituun valmistuksen aikana liimaamalla on ainoa väliaikainen sidos. Lämmitysmatto on tarkoitettu asennettavaksi märkävaluprosesseissa (betoni, itseliimautuva ja itsetasoittuva tasoitusmateriaali perustuen sementtiin, jotka täyttävät lämpötekniiset vaatimukset – asennuksen aikana on tarpeen noudattaa valmistajan ohjeita). Käytössä lämmitysmaton täytyy olla täydessä kontaktissa näiden materiaalien kanssa eikä siinä saa olla ilmakehkiä.
- Mattoa voidaan muotoilla vain kuvien 1 – 3 mukaisesti, ja sitä ei saa missään tapauksessa lyhentää. Voit lyhentää vain päitä tarpeen mukaan. Liitosjohdon pään ja lämmityskaapelin liitosta ei saa asentaa taitokseen. Lämmitysmattojen lämmityskaapelit eivät saa koskettaa tai kulkea ristikkäin toisiinsa nähden. Minimi etäisyys kaapelien välissä on 30 mm. Jos lämmitys- tai virtakaapelit ovat vaurioituneita, ne täytyy antaa valmistajan, sen huoltoteknikon tai vastaavan pätevän henkilön vaihdettavaksi tai korjattavaksi vaarallisten tilanteiden välttämiseksi. Älä käytä nautoja tai ruuveja kaapelien asentamiseen!!
- Kaapeleita asennettaessa taitoksen halkaisijan kaapelissa täytyy olla vähintään kahdeksan kertaa suurempi kuin kaapelin halkaisija.
- Lämmitysmatto varustetaan  $I_n < 30\text{mA}$  vikavirtasuojakytkimellä. Suosittelemme, että jokainen lämmitysyksikkö/piiri varustetaan vikavirtasuojakytkimellä.
- Turvallisuussyistä lämmitysmattoja ei saa asentaa seiniin.
- Lämmitysmattoja voidaan säilyttää  $+10^\circ\text{C}$  -  $+35^\circ\text{C}$  lämpötiloissa ja asentaa  $+5$  -  $+30^\circ\text{C}$ :n lämpötilassa. Käytössä ollessaan kaapeleita ei saa altistaa yli  $70^\circ\text{C}$ :n lämpötiloille.
- Pakkauksen poistamisen aikana maton käsittelyssä ja asennuksessa on oltava erityisen huolellinen maton vaurioitumisen välttämiseksi - tarkasta lämmityskaapelit ulkoisesti ennen rakennusmateriaalin levittämistä.
- Lämmitysmattoa ei saa asentaa epätasaisille pinnoille.
- Lämmitysmatto on tarkoitettu pääasiassa asennukseen tukevalle materiaalille, verkko alustaa kohden.
- Jos kaapelit vedetään alueelle, joka on suurempi kuin  $20\text{m}^2$  tai jonka diagonaali on yli  $7\text{m}$ , on huomioitava pohjamateriaalien laajeneminen. Lämmityskaapeli ei saa kulkea liikuntasauvojen poikki. Liitosjohdot, jotka ylittävät liikuntasauvat, täytyy asentaa suojaputkeen. Liitosjohto ja lämpötila-anturi – asennetaan suojaputkiin, jotka sallivat lattian ja seinän liikkumisen toisiinsa nähden.
- Lämmitysmaton ja seinän välinen etäisyys ei saa olla alle  $50\text{mm}$ .
- Mattoa ei saa asettaa kalusteiden alle, kuten kylpyamme, wc ym. eikä huonekalujen alle, jotka eivät salli ilman kiertoa. Suurin lämpöeristys lämmitysosan ja huoneen välillä saa olla  $R=0.18\text{m}^2\text{K/W}$ .
- Maton jännitteen kytkentään käytetään kaksinapaista katkaisijaa. Katkaisijan koskettimien avausvälin täytyy olla  $3,5\text{mm}$ .

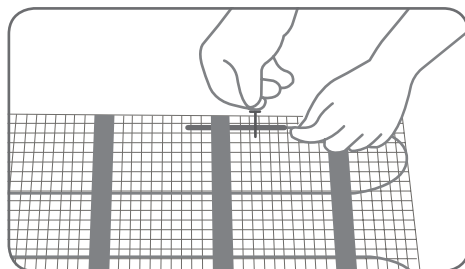
- Lämmitysmaton liitosjohdon etiketti kertoo sarjanumeron ja valmistuspäivän. Etiketti maton pakkauksessa näyttää maton tyyppin, mitat ja pinta-alan, kokonaistehon, tehon per  $1\text{m}^2$  sekä maton syöttöjännitteen ja sähköresistanssin.
- Ennen mattojen levittämistä ja sen jälkeen on mitattava lämmityspiirien resistanssi. Mitattujen arvojen tulisi olla samoja. Tallenna mitatut arvot takuutodistukseen.
- Ennen maton levittämistä ja sen jälkeen on mitattava eristysresistanssi lämmitysjohdinten ja suojaputken välillä. Tämä mitattu arvo ei saa olla alle  $0,5\text{M}\Omega$ . Tallenna mitatut arvot takuutodistukseen.
- Ennen pakkauksen avaamista on tarkastettava, ovatko etiketin tiedot tilamasi tuotteen mukaisia.
- Jos huomaat poikkeamia, ilmoita niistä heti valmistajalle tai toimittajalle ja lopeta työt heti.
- Piirrä lämmitysmaton kaavio takuutodistukseen, jossa osoitetaan virtakaapelien liitäntöjen tarkat etäisyydet ja lämmitysosien rakennuksen seinistä. Tallenna lämmitysmaton sarja- ja valmistusnumero, jotka on ilmoitettu maton kylmän pään etiketissä, ja liitä sitten tämä etiketti sähköjakokeskukseen.
- Asentajan täytyy kertoa muille paikan rakentajille, minne lämmityslaitte on asennettu ja siihen liittyvät riskit.
- Dokumentit, joissa on tietoja lämmitysjärjestelmästä, tulee pitää pystyvästi lämmitysjärjestelmän sähköjakokeskuksessa ja siirtää uudelle omistajalle tai vuokralaiselle.
- Mattojen asennuksessa on täytettävä standardien EN 50559 vaatimukset.
- Tuote on valmistettu standardin EN 60335-2-96/IEC 60335-2-96 mukaisesti, ja se tulee asentaa sähköasennuksia koskevien määräysten mukaisesti.
- Lämmitysmatto voidaan asentaa kylpyhuoneeseen jopa vyöhykkeen 0 alle sillä edellytyksellä, että liitin ja lämmityskaapelin pää asennetaan tämän vyöhykkeen ulkopuolelle.
- Lämmitysmatto tulee aina liittää  $30\text{mA}$ :n vikavirtasuojakatkaisijalla.
- Riittämätön lämpöeristyskerros lämmitysjärjestelmän alla voi aiheuttaa merkittävän lämpöhäviön (lämpö liikkuu alaspäin). Suositeltu lämpöeristys on  $70\text{--}80\text{mm}$  polystyreeniä tai vastaavia lämpöeristysmateriaaleja. Saneerauskohteissa, joissa asennuksessa ei ole tilaa riittäväälle lämpöeristykselle, suosittelemme asentamaan  $3\text{--}10\text{mm}$  eristelevyt pinnan lämpiämisen nopeuttamiseksi ja lämpöhäviön vähentämiseksi. Tämä materiaali kiinnitetään asennusmassalla, joka on levitetty hammastetulla lastalla ja lämmitysmatto asennetaan suoraan eristelevyn pinnalle. Eristelevyjä ei tarvitse rei'ittää.
- Tätä laitetta saavat käyttää vähintään 8-vuotiaat ja vanhemmat lapset sekä myös henkilöt, joiden fyysiset ja aistipohjaiset kyvyt ovat rajoitettuja, tai joilta puuttuu kokemus tai tieto, mikäli heidän laitteen käyttöä valvotaan tai heitä on opastettu laitteen turvallisessa käytössä ja he ymmärtävät vaaratekijät. Lapset eivät saa leikkiä laitteella. Lapset eivät saa puhdistaa ja huoltaa laitetta ilman valvontaa.
- Asentajan täytyy ohjeistaa käyttäjää lattia- tai kattolämmityksen oikeaoppisesta käytöstä. Tämä on ilmoitettu tuotteen mukana tulevalla etiketillä, ja se tulee liimata sähköjakokeskukseen: etiketti kertoo lisäksi, että reikien tekeminen lattiaan on kielletty, kuten myös lattian peittäminen kalusteilla ilman, että lattian ja pohjapinnan väliin jätetään vähintään  $4\text{cm}$ :n väli.



## ASENNUS

### 1. Kuvaus ja liitäntä

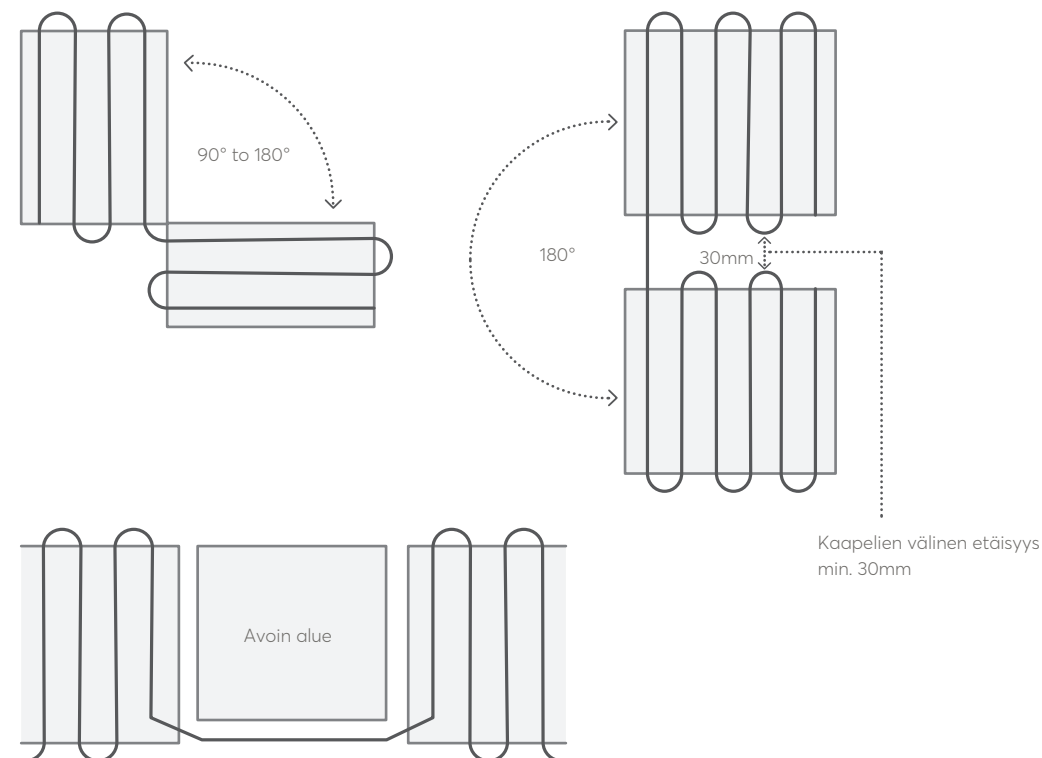
- Lämmitysmatto koostuu lämmityskaapelista, joka on liitetty tukevaan lasikuitukankaaseen.
- Lämmityskaapelit tulee yhdistää 230 V:n, 50 Hz:n sähköverkkoon. Suojaluokka: IP67.
- Nöb NUM-matoissa on metallinen suojapunos. Suojapunos liitetään PE-johtimeen tai suojamaadoitusliitäntään.
- NUM-matoissa on kaksipuolinen teippi. Suojapaperin poistamisen jälkeen näistä teipeistä matto voidaan asentaa alustaan.
- Kiinnitä liitännät ja lämmityskaapelin loppupää verkkoon mukana tulevalla kiinnitysluskalla.



## 2. Mattojen käyttö osittain varaavaan ja suoraan lattialämmitykseen

### a) Mitoitus

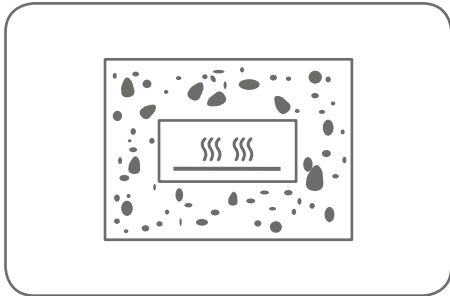
- Jos lattialämmitystä aiotaan käyttää lattiapinnan lämmittämiseen lyhyitä aikoja, suosittelemme, että matto asennetaan lähelle lattian pintaa.
- Jos lattialämmitystä käytetään huoneen lämmitykseen, on tiedettävä rakennuksen lämpöhäviön arvo, jotta voidaan valita sopivin lämmitysjärjestelmä. Asennetun tehon tulisi vastata 1,1 - 1,3 kertaisesti laskettua lämpöhäviötä rakennuksessa. Jos laskettua tuottoa ei voida asentaa koko lattian alueelle, lisälämmityslaitetta on käytettävä (esim. sähkölämmittinä).
- Lyhytaikaista lämmitystä varten ja kylpyhuoneita varten suosittelemme käyttämään NUM 160W/m<sup>2</sup>. Tiloissa, joita käytetään pidempiä aikoja, suosittelemme käyttämään NUM 100W/m<sup>2</sup>.



## ASENNUS BETONIIN

### b) Asennus – osittain varaava järjestelmä

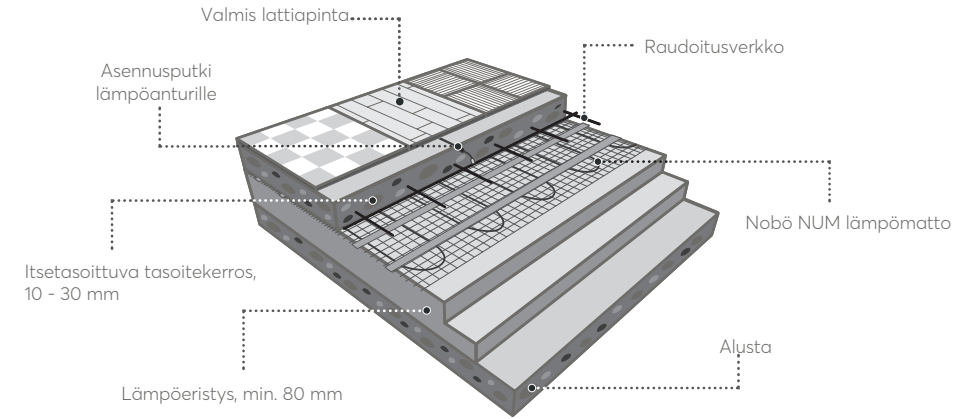
- Lue ensin ehtojen lause 1.
- Betoniseoksen täytyy olla niin tiivistä, ettei kerroksessa ole ilmakuplia, aukkoja ja vastaavia, ja se varmistaa täyden kontaktin lämmityskaapeliin. Tiivistys täytyy tehdä huolellisesti käsin kaapelin vaurioitumisen estämiseksi. Missään tapauksessa ei saa käyttää sauvatäryntä.
- Betoniseoksen tulee sisältää ns. pehennysaineita (Esim. MAPEI- DYNAMONSR tai PLANICRETE).
- Betonin valutyössä täytyy muistaa, että taukoja pidettäessä pidempään kuin 60 minuuttia, valetut alueet eivät liity kokonaan. Sen vuoksi pidempää taukoa pidettäessä on luotava jatkoskohtaan tartuntapinta.
- Alueet, joille lämmitysmatto asennetaan, täytyy lämpöeristää polystyreenillä (EPS-levyt vähintään 25kg/m3 tai suulakepuristettu XPS-polystyreeni pitkäaikaisella 75°C:n lämpöresistanssilla) tai mineraalilevyllä, joka on 70–80 mm paksua. Osittain varaavassa järjestelmässä lämmitysmatto voidaan asentaa suoraan lämpöeristyksen päälle (NUM 100W/m2 – EPS-levyt, NUM 160W/m2 – suulakepuristettu XPS- polystyreeni). Raudoitusta asennettaessa varo vahingoittamasta kaapelin eristystä.



## ASENNUSJÄRJESTYS

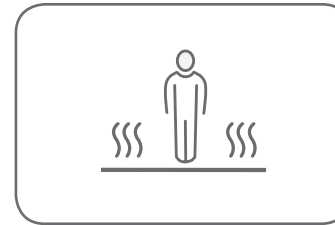
- Puhdista asennettava alue, poista terävät esineet.
- Avaa lämmitysmatto ja sovita se lämmitettävän tilan mukaisesti.
- Poista suojakerros teipeistä ja kiinnitä matto alustaan.
- Liitä kaapelin suojapunos suojamaadoitukseen.
- Liitintä, joka yhdistää liitosjohdon pään ja lämmityspiiriin ei saa asentaa taitokseen.
- Mittaa lämmityspiiriin resistanssi ja eristysresistanssi tai vuotovirta ja merkitse mitatut arvot takuutodistukseen.

- Odota vähintään 28 päivää asennuksen jälkeen ennen maton käyttöönottoa, jotta betoni on kokonaan kovettunut.
- Lattiapinnan viimeistelyyn käytettyjen materiaalien täytyy olla niiden valmistajien hyväksymiä käytettäväksi lämpövaihteluille altistuvissa lattioissa.



### c) Asennus- suora lämmitysjärjestelmä

- Lue ensin ehtojen lause 1.
- Tarkat kuvaukset käytöstä eri materiaaleille löytyvät suositeltujen materiaalien asennusohjeista.

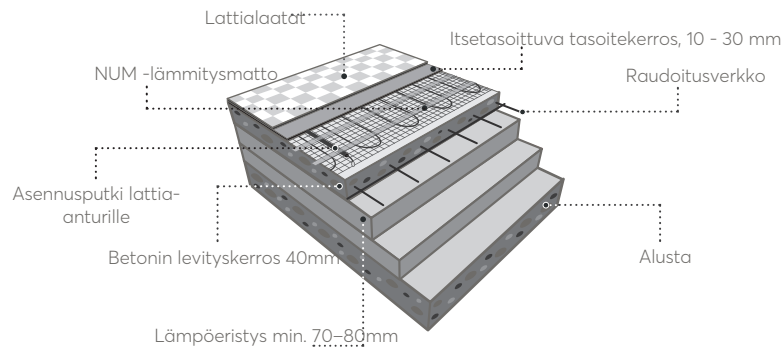


## ASENNUSJÄRJESTYS

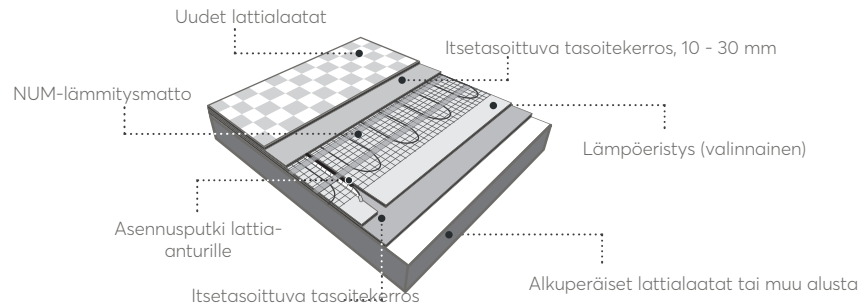
- Avaa lämmitysmatto ja sovita se lämmitettävän tilan mukaisesti. Merkitse paikka liitännälle sekä lämmitysmaton kaapelin loppupäälle lattiaan. Rullaa matto uudelleen kokoon.
- Tee syvennykset alustaan, johon sijoitat liitännät lämmitykselle ja termostaatin lämpötila-anturille.
- Puhdista betonialue, poista terävät esineet ja levitä tartunta-primeri.
- Avaa lämmitysmatto ja sovita se lämmitettävän tilan mukaisesti.

- Poista suojakerros teipeistä ja kiinnitä matto alustaan.
- Mittaa lämmityspiirin resistanssi ja eristysresistanssi ja merkitse mitatut arvot takuutodistukseen.
- Käytä itsetasoittuvaa tasoitetta ja lastaa lattiapinnan tasoittamiseksi (varo, ettet vaurioita kaapelia terävällä lastan reunalla).
- Ennen kuin kiinnität lattialaattoja, mittaa lämmityspiirin arvot uudelleen ja tallenna molemmat arvot takuutodistukseen.
- Aseta lattialaatat.
- Kun lämmitysmatto otetaan käyttöön, saumaussementin täytyy kovettua kokonaan (ks. käyttöohjeet ja suositukset materiaalin valmistajalta).

#### Suora lämmitysjärjestelmä – uudet rakennukset



#### Suora lämmitysjärjestelmä – saneeraus



#### d) Ohjaus

- Lämpötilan ohjaukseen käytetään termostaattia, jonka lattia-anturi on asennettu vähintään 30 cm lämmitetyn alueen sisälle.
- Aseta termostaatin lattia-anturi niin lähelle lattian pintaa kuin mahdollista. Anturi asetetaan putkeen, jonka pää suljetaan estämään rakennusmateriaalin sisäänpääsy.

- Suojaputki asetetaan lämmityskaapelin silmukoiden väliin, silmukan keskelle. Putki ei saa koskettaa tai risteillä lämmityskaapelin kanssa!
- Putken taitoksen taivutussäde seinän ja lattian välillä on minimissään 6 cm ja se täytyy asentaa siten, että anturia voidaan vaihtaa tarvittaessa!
- Termostaatti tulee asettaa tilaan: Huone + lattia-anturi tai lattia-anturi.
- Suurin sallittu lattian lämpötila-asetus (jos asennusohjeet käytetylle pintamateriaalille eivät ilmoita pienempää arvoa):

27°C - tilat, joita käytetään pidempiä jaksoja

35°C - tilat, joita käytetään lyhyempiä jaksoja, lattialaatoituksella

### 3. Lattian lämmityksen nopeuttaminen

#### a) Lämmitysmatto asennettu betoniin

- Odota vähintään 4–6 viikkoa asennuksen jälkeen, ennen kuin otat maton käyttöön, niin että betoni on täysin kovettunut.
- Aseta lämpötila ensimmäisenä päivänä samaksi kuin huoneen lämpötila (max. 18 °C),
- Seuraavina päivinä nosta lämpötilaa 2°C päivässä 28°C:een asti.
- Pidä 28°C:n lämpö kolmen päivän ajan.
- Laske sitten lattian lämpötilaa 5°C:lla päivässä kunnes saavutat alkulämpötilan.
- Sen jälkeen voit asettaa haluamasi lämpötilan ja ottaa lattian normaaliin käyttöön.

#### b) Lämmitysmatolle, joka asennetaan itsetasoittuvaan massaan tai betoniin

- Suosittelemme maton ottamista käyttöön 5 päivää lattian lopullisen kerroksen levittämisestä (lattian pinta).

**Huomaa:** Yllä mainitut arvot ovat vain tiedoksi, ja valmistajan antamia ohjeita kunkin rakennusmateriaalin osalta on noudatettava.

### 4. Takuu, reklamaatiot

Nobö NUM-lämpömattojen toimittaja tarjoaa 10 vuoden takuun tuotteen toimivuudelle niiden asennuspäivästä lähtien, joka vahvistetaan takuutodistuksessa (asennus tulee tehdä viimeistään 6 kk ostopäivästä), mikäli:

- Takuu- ja ostotodistus toimitetaan;
- Tässä käyttöohjeessa kuvattua prosessia on noudatettu,
- Tiedot kaapelien vetämisestä ja liittämisestä lattialla ja siitä saadut eristysresistanssin mitatut arvot toimitetaan; ja
- Valmistajan määrittämää tasoitteen levitysohjetta on noudatettu.

Reklamaatiot voidaan tehdä kirjallisina asennuksen tehneelle yritykselle tai suoraan valmistajalle.

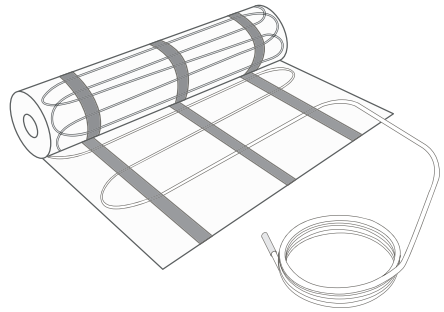
Reklamaatioprosessi on saatavilla myös verkkosivulla: <http://www.glendimplex.fi>.



# NOBO

Nordic World Class Heating Solutions

Tämä asennusohje on tarkoitettu lämmitysmaton toimittajille, omistajille ja käyttäjille. Omistajan ja käyttäjän vaihtuessa se on annettava tälle, yhdessä täysin täytetyn Takuutodistuksen kanssa.



---

Glen Dimplex Nordic Oy Ab  
Mestarintie 30, FIN-06150 Porvoo  
Puh.: 020 7768 300  
S-posti: email@glendimplex.fi