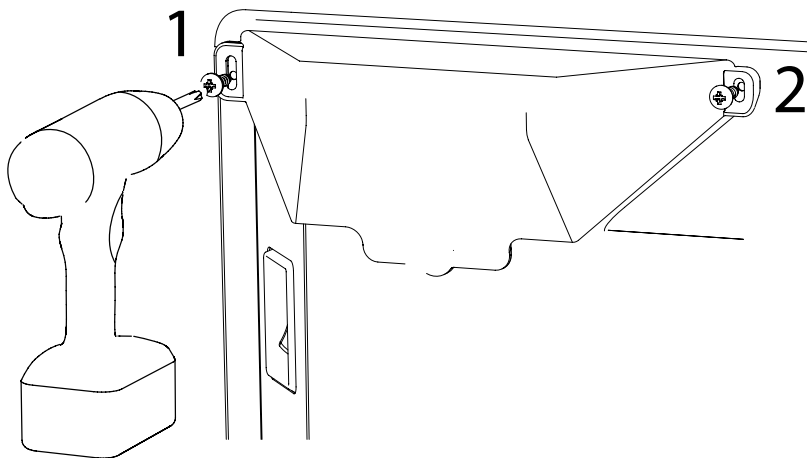


Betjeningsperre CU
Interface Cover CU

Art. 80015228
NO: 5422441 FI: 8130962
SE: 8539430 DK: 09.78.560.177



GlenDimplex
NORDIC

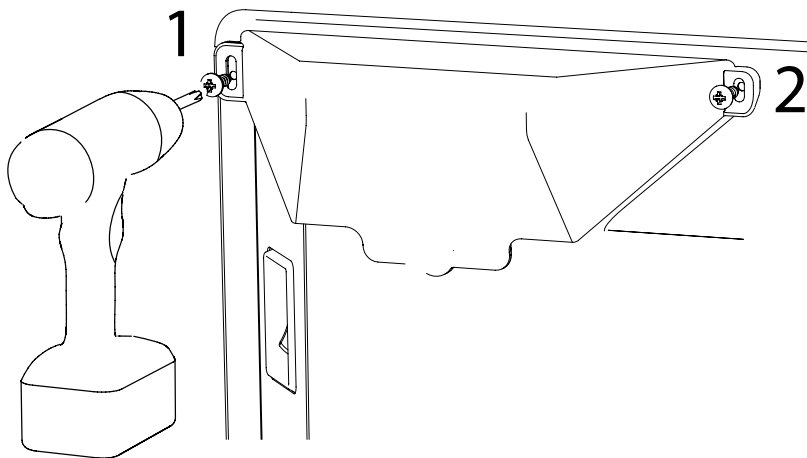
Wessels veg 63,
NO-7502 Stjørdal, Norway



08/90162/0 80390270 B

Betjeningsperre CU
Interface Cover CU

Art. 80015228
NO: 5422441 FI: 8130962
SE: 8539430 DK: 09.78.560.177



GlenDimplex
NORDIC

Wessels veg 63,
NO-7502 Stjørdal, Norway



08/90162/0 80390270 B